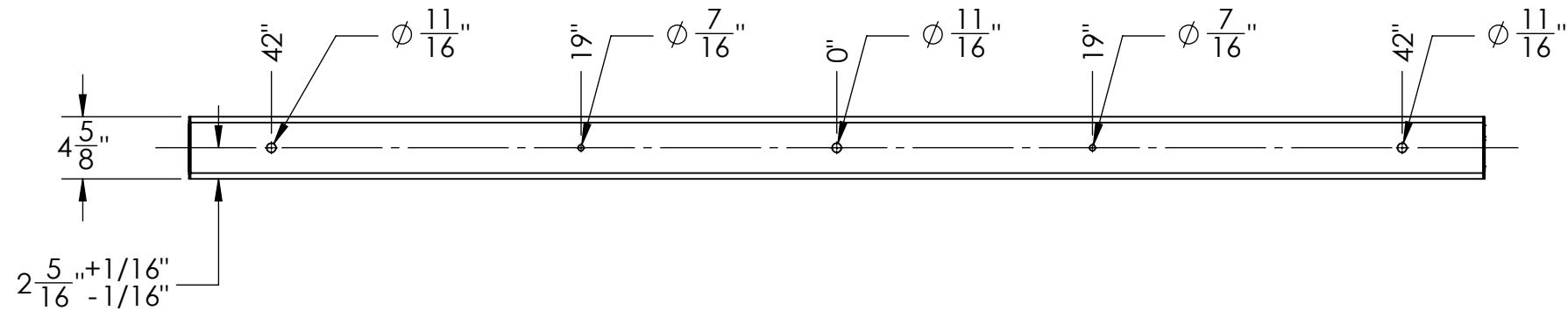
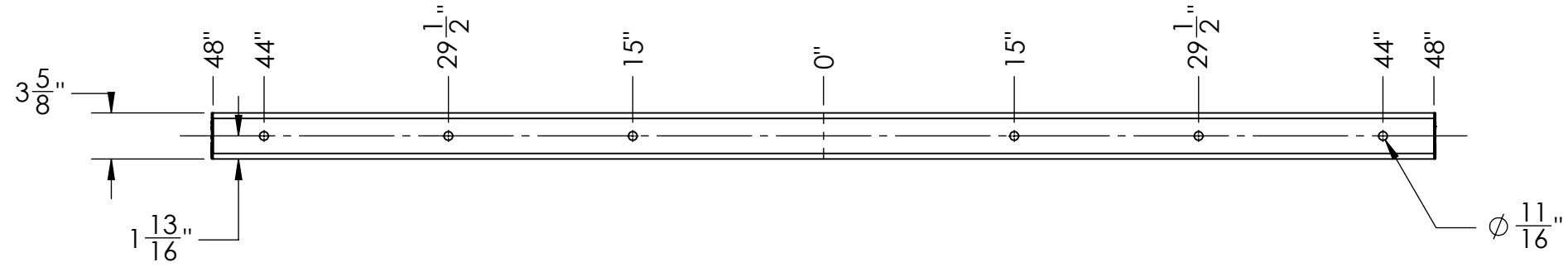


ITEM NO.	PART NUMBER	DESCRIPTION	QTY.
1	P90008W	PW FOAMED TUBE	1

PAPER SIZE		DRAWING NUMBER	
<b>B</b>		<b>3003-045</b>	
REVISIONS			
REV.	ECO BY	ECO DATE	ECO NUMBER



THIS DRAWING CONTAINS CONFIDENTIAL INFORMATION THAT IS THE PROPERTY OF MACLEAN POWER, L.L.C. ("MACLEAN"). USE OF MACLEAN'S CONFIDENTIAL INFORMATION WITHOUT MACLEAN'S EXPRESS WRITTEN CONSENT IS STRICTLY PROHIBITED AND MAY EXPOSE YOU TO LEGAL LIABILITY. IF YOU BELIEVE THAT YOU RECEIVED THIS MATERIAL IN ERROR, PLEASE DESTROY IT OR RETURN IT TO "MACLEAN POWER, L.L.C., 101 PARK AVE., NEWBERRY, SOUTH CAROLINA 29108, USA."

CATALOG NUMBER: <b>PW08REA004</b>	CUSTOMER NUMBER: <b>N/A</b>	PART NUMBER: <b>F490815</b>	DRAWING NUMBER: <b>3003-045</b>	DO NOT SCALE DRAWING
<b>PHYSICAL PROPERTIES</b> <small>UNLESS OTHERWISE SPECIFIED DIMENSIONS ARE IN: INCHES</small> TOLERANCES ARE: XX +/- 1/4 X/XX +/- 1/32 ANGLES +/- 1°			SHEET: <b>1 OF 1</b>	CAD GENERATED DRAWING DO NOT MANUALLY UPDATE
			DRAWING DESCRIPTION: <b>PW TANGENT CROSSARM</b>	DESIGN DATE: <b>5/1/14</b>
MATERIAL:	APPROX. WEIGHT : <b>32 LBS</b>	VOLUME: <b>IN3</b>	PRODUCT LINE: <b>CROSSARMS</b>	DRAWN BY: <b>KML</b>
			ENGINEER: <b>prollins</b>	APPROVED: <b>02/25/20</b>
			SCALE: <b>1:12.5</b>	



101 PARK AVE.  
NEWBERRY, SC. 29108  
TEL. (803) 628-7700 FAX: (803) 628-2139