



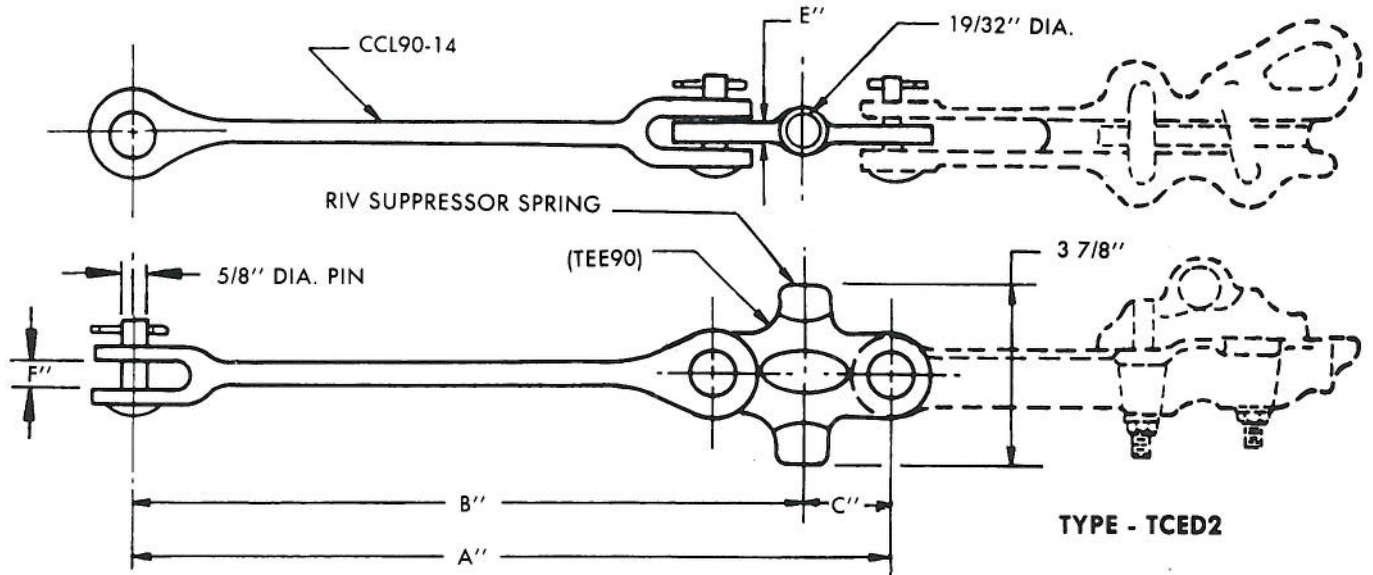
# FLEXIBLE TRUNION LINK

TYPE - TCEF3

SECTION	A
PAGE NO.	19
DATE	8-10-89
SUPERSEDES	1-1-74

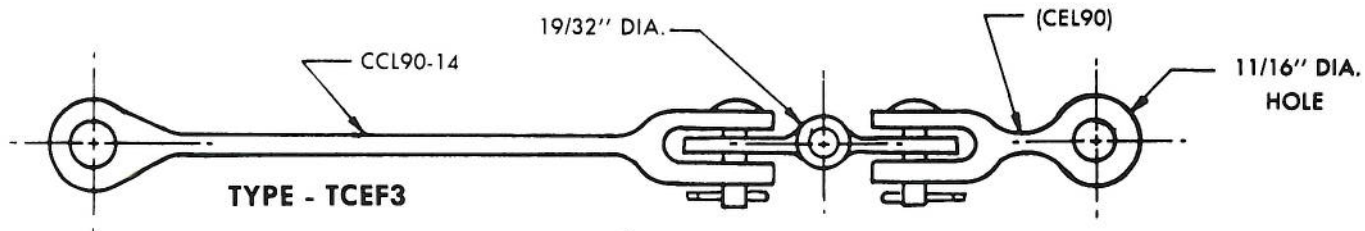
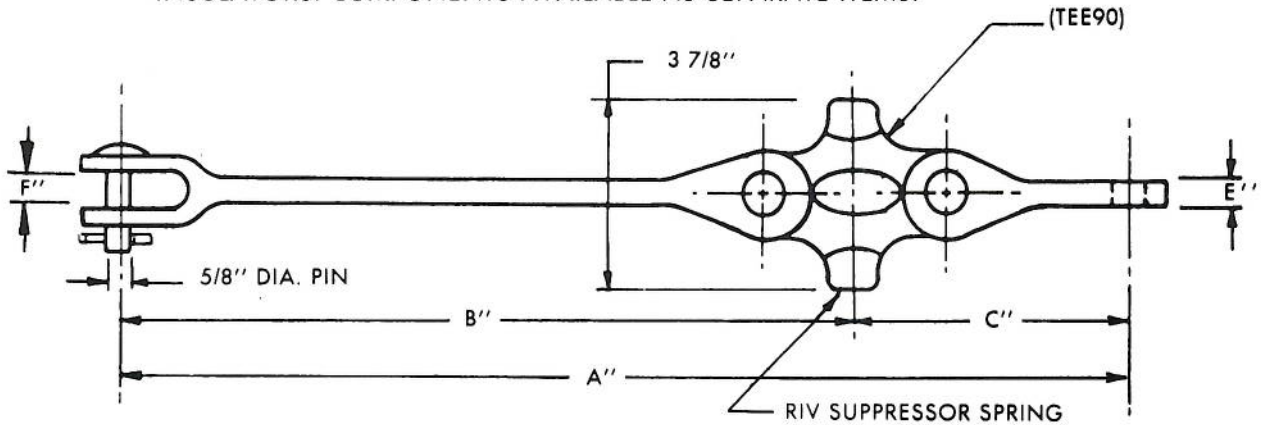
## SPECIFICATIONS

**MATERIAL:** DUCTILE IRON GRADE 654512, ASTM 536 HOT DIP GALVANIZED ASTM 123



CATALOG NUMBER	DIMENSIONS - INCHES					RATING LBS.	WT./C LBS.
	A''	B''	C''	E''	F''		
TCEF 2-162	18''	16''	2''	9/16''	11/16''	15,000	310
TCEF 3-166	22''	16''	6''	9/16''	11/16''	15,000	425

- FOR TANGENT OR LINE ANGLE SUPPORT OF IN-LINE SWITCHES WITH CLAMP-TOP INSULATORS. COMPONENTS AVAILABLE AS SEPARATE ITEMS.



**CONTINENTAL <sup>C/E</sup> ELECTRIC CO.**

P.O. BOX 835 — TRUSSVILLE, ALABAMA 35173