

# UNIVERSAL GROUNDING CLAMP



**UTILITY**

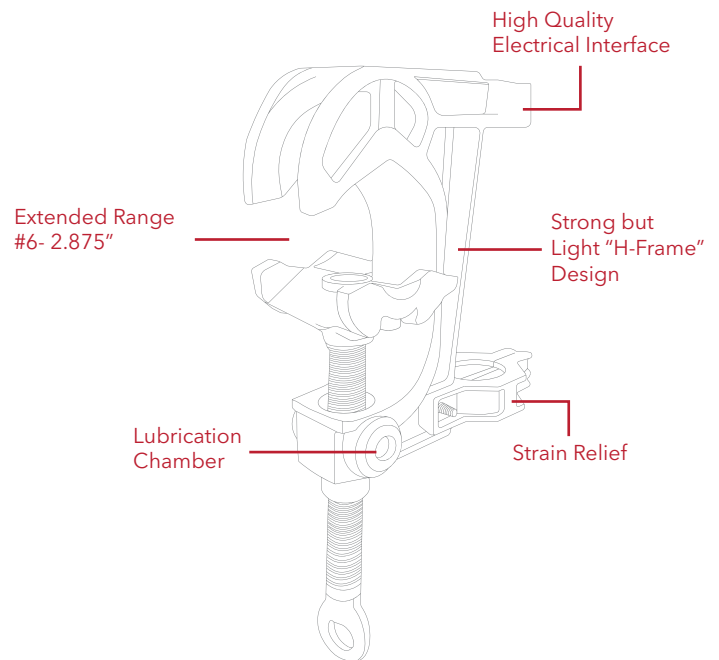
**SAFETY PRODUCTS**

**CLAMPS**

*The Grounding Clamp that serves the need of many other clamps.*

## KEY FEATURES

- Wide jaw opening, accomodates either conductors or substation bus bars
- Self centering geometry to provide quick, secure clamping on small and large conductors alike
- Forged aluminum eye screw that is robust and minimizes weight
- Versatile design that is suitable for distribution, substation, and transmission applications
- Available with a T-handle
- Designed and tested per ASTM F855

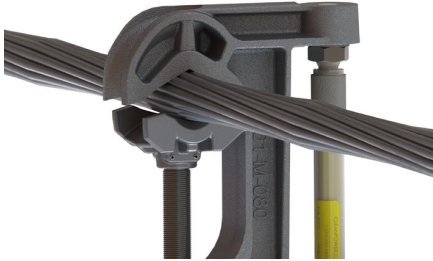


CATALOG NUMBER	JUMPER CABLE		CONDUCTOR		CLASS	RATED CURRENT	1ST CYCLE CURRENT PEAK	LAST CYCLE CURRENT PEAK
	MIN	MAX	MIN	MAX				
01-M-080	#4	4/0	#6 (0.16")	2.875"	5H	47kA	127kA	70kA
01-M-080A	350 MCM	350 MCM	#6 (0.16")	2.875"	6H	55kA	148kA	82kA

# PERFORMANCE & CAPABILITIES

## VERSATILE

Wide mainline range: #6 to 2.875" accepts both 25mm (1") and 30mm ball studs



## LIGHT AND DURABLE

Forged and heat treated aluminum alloy eye screw. Quick and smooth 3/4-10 double lead threads



## MPS STRESS RELIEF

Reduces cable damage and acts as a shock damper during a fault



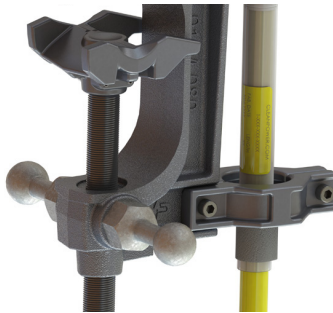
## EASY TO USE

Wide profile to ensure clamp stays seated during fault event



## EXPANDABLE

Ball studs can fit on each side for cascade assembly



## SERVICEABLE

Lubrication chamber for thread maintenance

