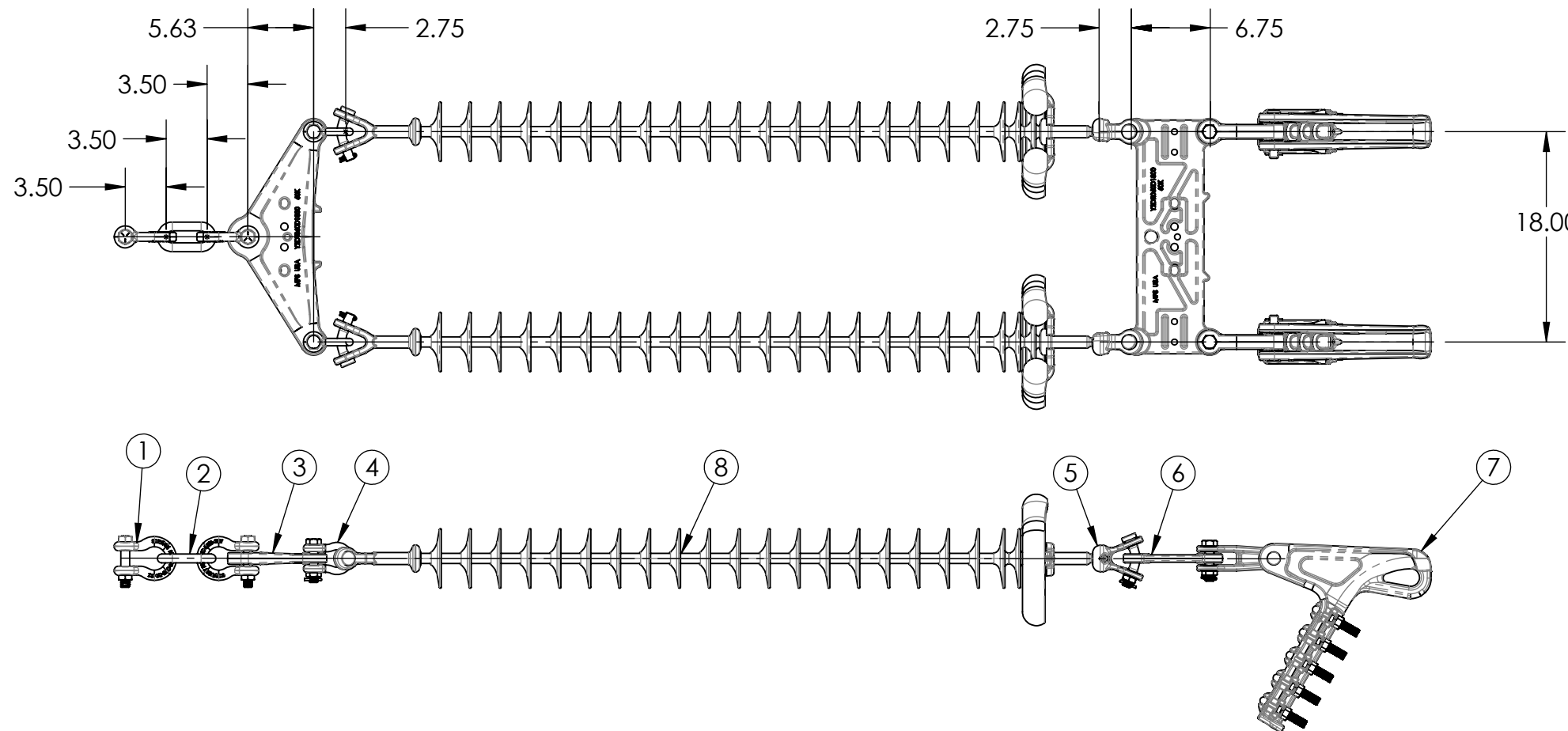


ITEM NO.	CAT. NUMBER	DESCRIPTION	QTY.	MATERIAL	ULTIMATE STRENGTH
1	ASH-66-BC	ANCHOR SHACKLE	2	FORGED STEEL	60,000 LBS.
2	CL-6	CHAIN LINK	1	FORGED STEEL	60,000 LBS.
3	Y2DT060D1800	YOKE PLATE	1	DUCTILE IRON	60,000 LBS.
4	ASH-56-BC	ANCHOR SHACKLE	2	FORGED STEEL	40,000 LBS.
5	SYCR-56	90° SOCKET Y-CLEVIS	2	DUCTILE IRON	30,000 LBS.
6	Y2DR060D1800	YOKE PLATE	1	DUCTILE IRON	60,000 LBS.
7	-	QUADRANT STRAIN CLAMP	-	ALUMINUM	35,000 LBS.
8	-	Y-CLEVIS INSULATOR	-	COMPOSITE	-

PAPER SIZE		DRAWING NUMBER	
B		X3DE2YB30A2	
REV	DATE	DESCRIPTION	REV BY



NOTE: INSULATORS AND CONDUCTOR KIT SOLD SEPARATELY

ASSEMBLY CAT. NO. X3DE2YB30A2

This drawing contains confidential information that is the property of MacLean Power, L.L.C. ("MacLean"). Use of MacLean's confidential information without MacLean's express written consent is strictly prohibited and may expose you to legal liability. If you believe that you received this material in error, please destroy it or return it to "MacLean Power, L.L.C., 11411 Addison Street, Franklin Park, Illinois 60131, USA."

UNLESS OTHERWISE SPECIFIED DIMENSIONS ARE IN:	
INCHES	
TOLERANCES ARE:	
.X	+/- 0.1
.XX	+/- 0.03
.XXX	+/- 0.015
ANGLES	+/- 1.0



DRAWING NUMBER: X3DE2YB30A2	DO NOT SCALE DRAWING
SHEET NAME: SHEET 1 OF 1	CAD GENERATED DRAWING DO NOT MANUALLY UPDATE
DRAWING DESCRIPTION: DEAD END ASSEMBLY	DESIGN DATE: 3/22/24
DRAWING SCALE: 1:1	DRAWN BY: JIP
	ENGINEER:
	APPROVED: