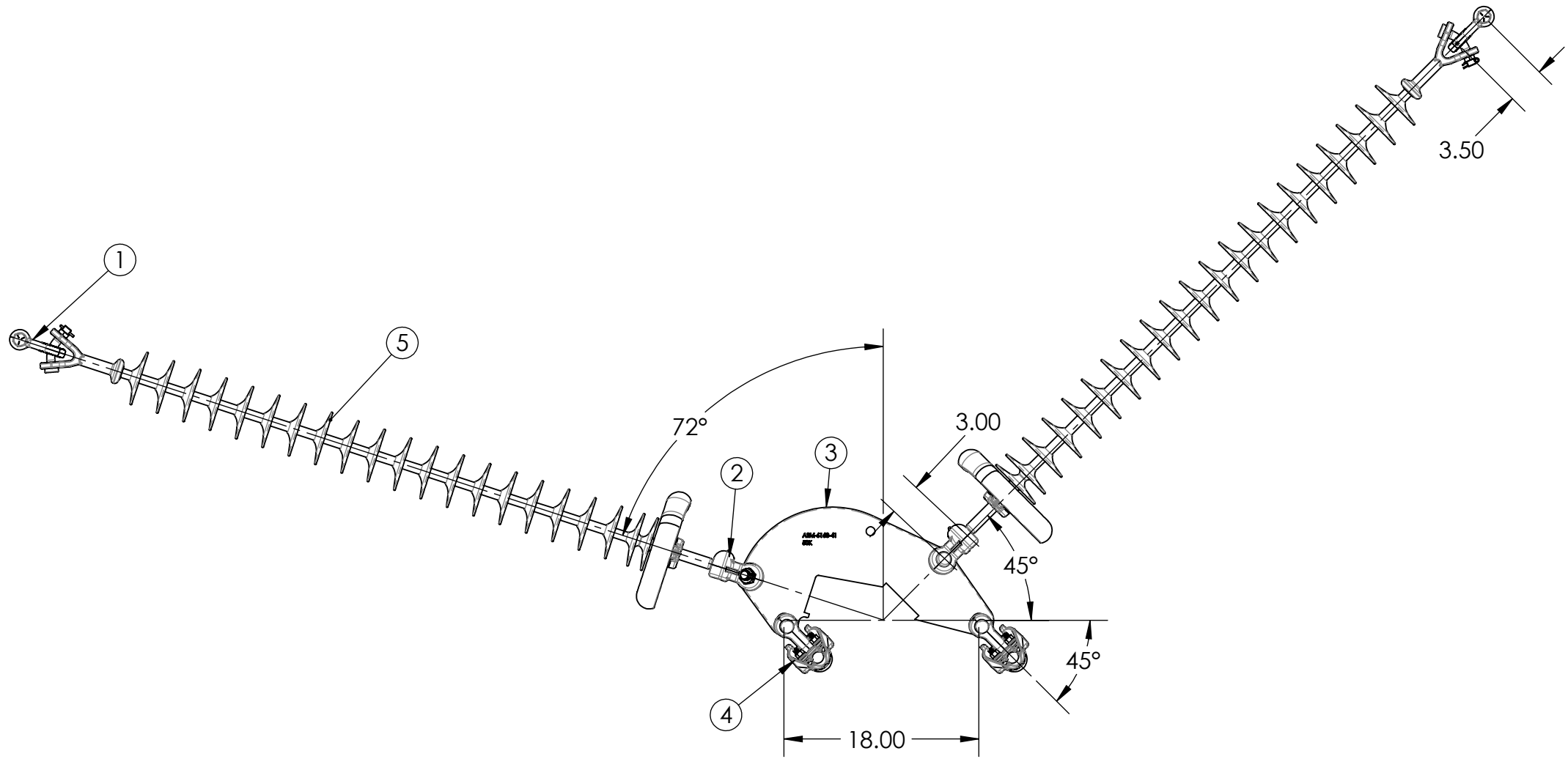


PAPER SIZE		DRAWING NUMBER	
<b>B</b>		<b>X3RV2YB50A2</b>	
REV	DATE	DESCRIPTION	REV BY

ITEM NO.	PART NUMBER	DESCRIPTION	QTY.	MATERIAL	ULTIMATE STRENGTH
1	ASH-66-BC	ANCHOR SHACKLE	2	FORGED STEEL	60,000 LBS.
2	SYCR-87	SOCKET Y-CLEVIS	2	DUCTILE IRON	50,000 LBS.
3	ASM-6168-41	YOKE PLATE	1	STEEL	50,000 LBS.
4	-	CF SUSPENSION CLAMP	-	ALUMINUM	25,000 LBS.
5	-	Y-CLEVIS INSULATOR	-	COMPOSITE	-



NOTE: INSULATORS AND CONDUCTOR KIT SOLD SEPARATELY

ASSEMBLY CAT. NO. X3RV2YB50A2

This drawing contains confidential information that is the property of MacLean Power, L.L.C. ("MacLean"). Use of MacLean's confidential information without MacLean's express written consent is strictly prohibited and may expose you to legal liability. If you believe that you received this material in error, please destroy it or return it to "MacLean Power, L.L.C., 11411 Addison Street, Franklin Park, Illinois 60131, USA."

UNLESS OTHERWISE SPECIFIED DIMENSIONS ARE IN:	
<b>INCHES</b>	
TOLERANCES ARE:	
.X	+/- 0.1
.XX	+/- 0.03
.XXX	+/- 0.015
ANGLES	+/- 1.0



DRAWING NUMBER: <b>X3RV2YB50A2</b>	DO NOT SCALE DRAWING
SHEET NAME: <b>SHEET 1 OF 1</b>	CAD GENERATED DRAWING DO NOT MANUALLY UPDATE
DRAWING DESCRIPTION: <b>RUNNING ANGLE V-STRING ASSEMBLY</b>	DESIGN DATE: 3/25/24
DRAWING SCALE: 1:1	DRAWN BY: JIP
	ENGINEER:
	APPROVED: