

MPS Catalog Number: **ZHP024-0000000**
Date: **03/07/2023**
By: **Laurel Wallace**

Electricals Values

| | | |
|-----------------------|----------|--------|
| Rating kV-RMS: | 24 | |
| MCOV kV-RMS: | 19.50 | |
| F.O.W. kV-CREST: | 87.9 | |
| SwitchSurge kV-CREST: | 56.80 | |
| Creep: | 31.85 in | 809 mm |
| Strike: | 12.54 in | 319 mm |

Dimensions & Physical Characteristics

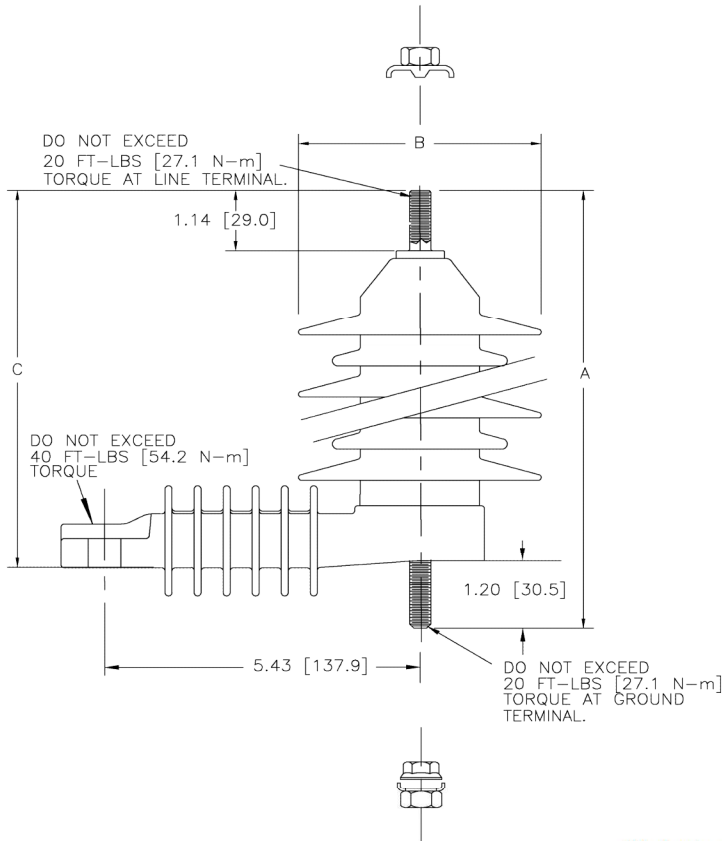
| | | |
|--------------|----------|---------|
| Dimension A: | 13.37 in | 340 mm |
| Dimension B: | 4.30 in | 109 mm |
| Dimension C: | 12.30 in | 312 mm |
| Weight: | 6.50 lbs | 2.95 kg |

Max Discharge Voltage (kV-CREST)

| | | | |
|--------|------|-------|-------|
| 1.5 kA | 64.1 | 20 kA | 88.7 |
| 2.5 kA | 65.7 | 40 kA | 104.1 |
| 3.0 kA | 66.6 | | |
| 5.0 kA | 70.4 | | |
| 10 kA | 77.7 | | |

Special Options

3/8-16 hardware.



This drawing contains confidential information that is the property of MacLean Power, L.L.C. ("MacLean"). Use of MacLean's confidential information without MacLean's express written consent is strictly prohibited and may expose you to legal liability. If you believe that you received this material in error, please destroy it or return it to "MacLean Power, L.L.C., 7801 Park Place Rd., York, South Carolina 29745, USA."