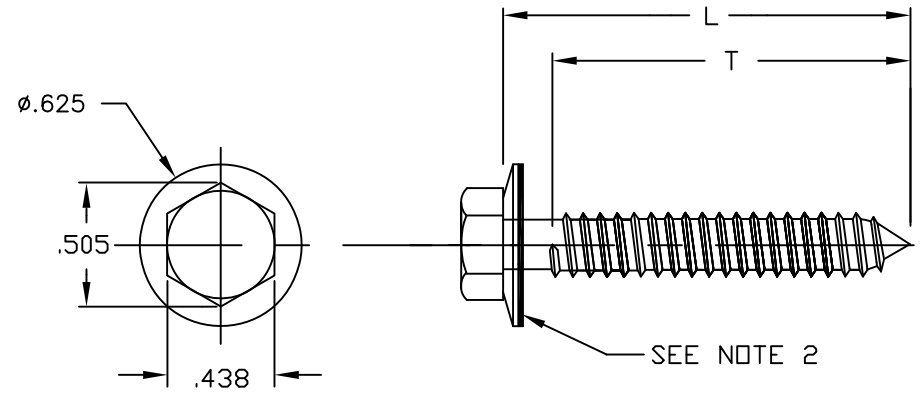


A | B | C | D | E | F

PAPER SIZE	DRAWING NUMBER	
B SIZE	GD-J26486.X	
REV	REVISION DATE	ECO
A	06-11-19	D9557



NOTES:

- 1) ALL DIMENSIONS ARE IN INCHES EXCEPT AS NOTED.
- 2) TYPE "H" NARROW WASHER WITH NEOPRENE BACKING
- 3) HOT DIP GALVANIZED PER ASTM A-153 OR MECHANICAL GALVANIZED PER ASTM B 695.

ⓓ

CATALOG NO.	PART NO.	L	T
J26486.1	F102219	2.000	1.500
J26486.2	F615253	2.500	2.000

MATERIAL:

HOT ROLLED CARBON STEEL.

This drawing contains confidential information that is the property of MacLean Power, L.L.C. ("MacLean"). Use of MacLean's confidential information without MacLean's express written consent is strictly prohibited and may expose you to legal liability. If you believe that you received this material in error, please destroy it or return it to "MacLean Power, L.L.C., 11411 Addison, Franklin Park, Illinois 60131, USA."

TOLERANCES UNLESS SPECIFIED	
	inch
0.XX	±.015
0.XXX	±.005
ANGLE	± 2°



MACLEAN POWER SYSTEMS
 RELIABLE POWER PRODUCTS
 11411 ADDISON STREET
 FRANKLIN PARK, IL 60131

DRAWN BY	ENGINEER	CHECKER	CATALOG #	SCALE	DESIGN DATE
MTT	RPM	MTT	SEE TABLE	NTS	9-28-94
DRAWING TITLE / DESCRIPTION					DRAWING NUMBER
SCREW LAG PURCHASED					GD-J26486.X