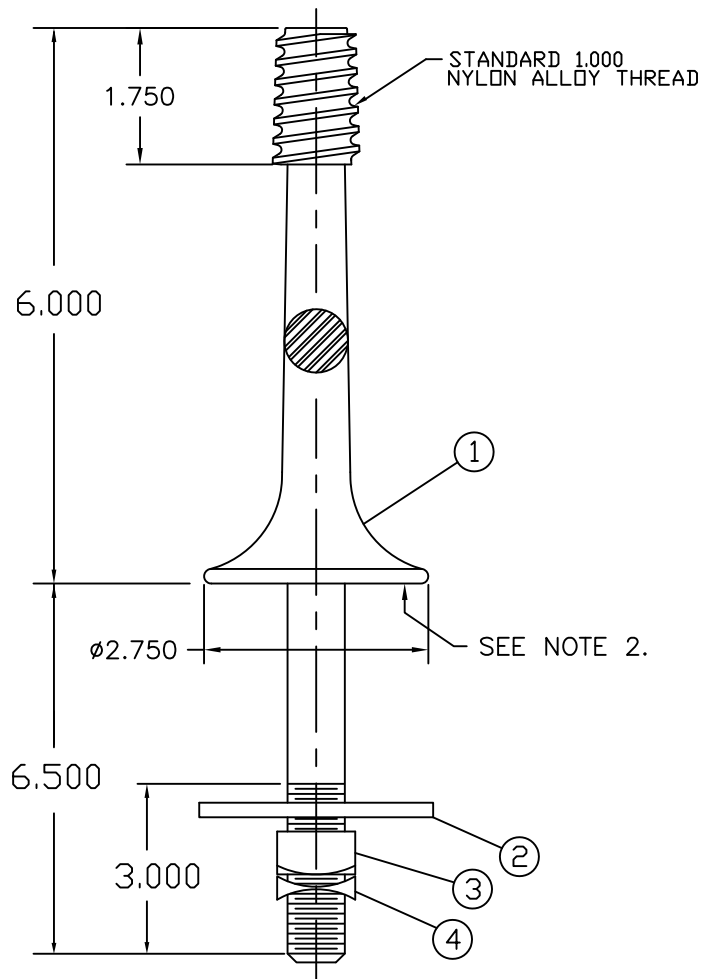


A | B | C | D | E | F

PAPER SIZE		DRAWING NUMBER	
B SIZE		GD-J626Z	
REV	REVISION DATE	ECO	
A	06-11-19	D9557	



MATERIAL:
 THREAD: NYLON ALLOY
 ALL OTHER: STEEL GALVANIZED PER ASTM A-153

- NOTES:**
1. ALL DIMENSIONS ARE REFERENCE AND IN INCHES EXCEPT AS NOTED.
 2. MANUFACTURER'S IDENTIFICATION MARK AND YEAR OF MANUFACTURE.

ITEM	QTY	DESCRIPTION
1	1	STEEL PIN BODY
2	1	2.00 SQ X .125 SQUARE WASHER
3	1	.625 REGULAR SQUARE NUT
4	1	.625 SQUARE M-F LOCKNUT

CATALOG #	J626Z
-----------	-------

This drawing contains confidential information that is the property of MacLean Power, L.L.C. ("MacLean"). Use of MacLean's confidential information without MacLean's express written consent is strictly prohibited and may expose you to legal liability. If you believe that you received this material in error, please destroy it or return it to "MacLean Power, L.L.C., 11411 Addison, Franklin Park, Illinois 60131, USA."

TOLERANCES UNLESS SPECIFIED	
INCH	
0.XX	----
0.XXX	----
ANGLE	----



DRAWN BY	ENGINEER	CHECKER	CATALOG #	SCALE	DESIGN DATE
MTT		MTT	J626Z	NTS	09-03-15
DRAWING TITLE / DESCRIPTION					DRAWING NUMBER
PIN X ARM W/NA THD					GD-J626Z