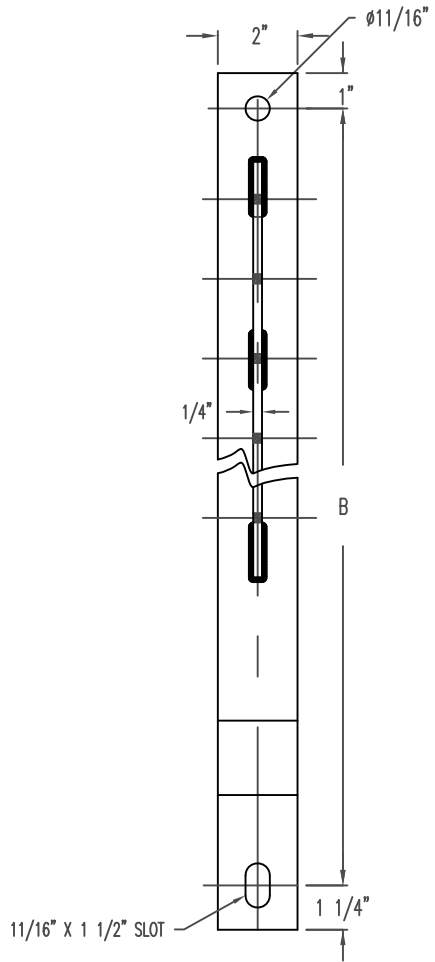
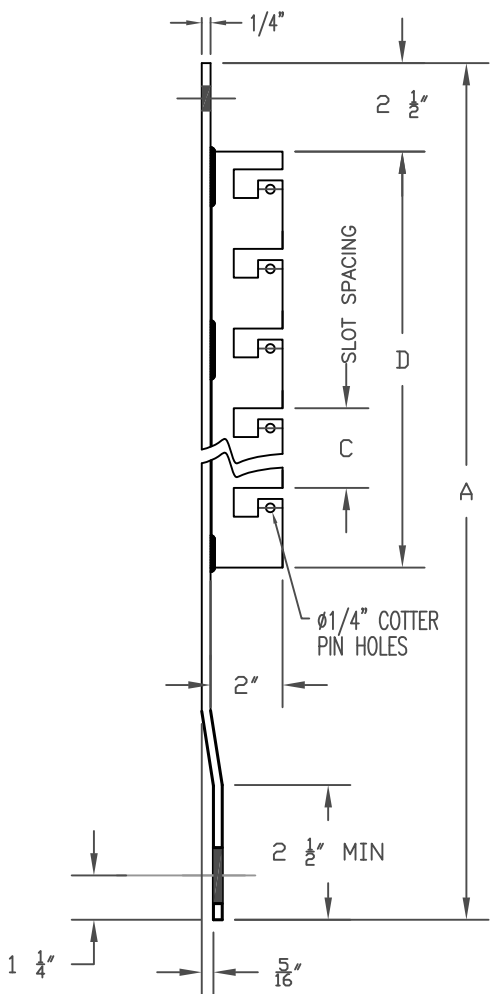


A

B

PAPER SIZE	DRAWING NUMBER	
A SIZE	GD-U6TXXXW	
REV	REVISION DATE	ECO
A	06-25-19	D9557



NOTES:

1. MATERIAL: STEEL A-36.
2. FINISH: HOT DIP GALVANIZE PER ASTM A-153.
3. USE WITH U6700 SERIES CABLE RACK HOOKS.

CATALOG NO.	SLOTS	A	B	C	D	WEIGHT (LBS)
U6T091W	9	21 1/2"	19 1/4"	1 1/2"	14 3/4"	5.5
U6T112W	11	32"	29 3/4"	2 1/4"	25 1/4"	9.1

USE OR REPRODUCTION OF THIS DRAWING FOR THE PURPOSE OF MANUFACTURING THIS ARTICLE OR ARTICLES SHOWN OR ANY OTHER PURPOSE IS STRICTLY PROHIBITED EXCEPT ON WRITTEN PERMISSION.  
**MACLEAN POWER SYSTEMS**

TOLERANCES UNLESS SPECIFIED	
INCH	
0.XX	1 / 16"
0.XXX	1 / 32"
ANGLE	1 DEGREE



**MACLEAN POWER SYSTEMS**  
 RELIABLE POWER PRODUCTS  
 11411 ADDISON STREET  
 FRANKLIN PARK, IL. 60131

DRAWN BY	ENGINEER	CHECKER	CATALOG #	SCALE	DESIGN DATE
MT	MT	MT	CHECK TABLE	NONE	6/12/98
DRAWING TITLE / DESCRIPTION					DRAWING NUMBER
UNDERGROUND CABLE STATION - OFFSET BACK					GD-U6TXXXW