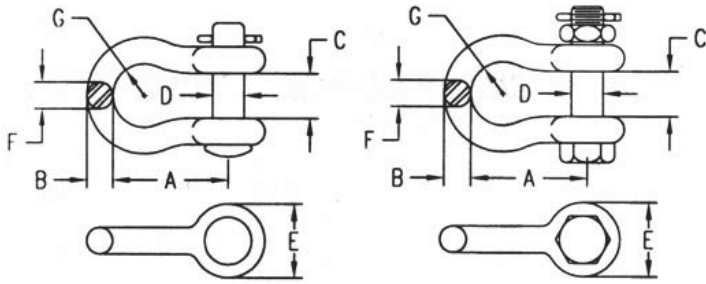




Anchor Shackle and Ball Type Insulator Fittings



Anchor Shackle

Material

Shackle:

Forged steel hot dip galvanized

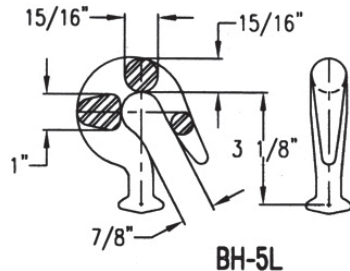
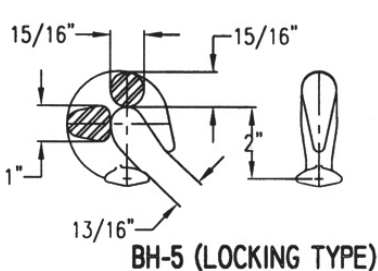
Hardware:

Stainless steel

Catalog Number	Dimensions							Ultimate Strength (lbs)	Weight /100 (lbs)
	A	B	C	D	E	F	G		
ASH-45	2 3/16	1/2	7/8	5/8	1 3/8	1/2	11/16	25000	80
ASH-55	2 3/4	5/8	7/8	5/8	1 1/2	6/16	11/16	30000	112
ASH-56	2 3/4	5/8	1 1/16	3/4	1 3/4	5/8	3/4	40000	147
ASH-66	3 1/2	7/8	1 1/4	3/4	1 7/8	3/4	1	50000	230
ASH-66-BC	3 1/2	7/8	1 1/4	3/4	1 7/8	3/4	1	60000	230
ASH-66A	3 1/2	3/4	7/8	3/4	1 7/8	3/4	3/4	50000	225
ASH-66A-BC	3 1/2	3/4	7/8	3/4	1 7/8	3/4	3/4	60000	225
ASH-66B	5	3/4	7/8	3/4	1 7/8	3/4	11/16	50000	262
ASH-66B-BC	5	3/4	7/8	3/4	1 7/8	3/4	11/16	60000	262
ASH-67	3 1/2	7/8	1 1/4	7/8	1 7/8	3/4	1	50000	242
ASH-67-BC	3 1/2	7/8	1 1/4	7/8	1 7/8	3/4	1	60000	242
ASH-67A	3 1/2	3/4	7/8	7/8	1 7/8	3/4	3/4	50000	230
ASH-67A-BC	3 1/2	3/4	7/8	7/8	1 7/8	3/4	3/4	60000	230
ASH-77-BC	3 3/4	1	1 7/16	7/8	2 1/8	7/8	1 1/8	72000*	240
ASH-BC-SPEC	3 3/4	1	1 3/16	7/8	2 1/8	7/8	1 1/8	72000*	240
ASH-78-BC	3 3/4	1	1 7/16	1	2 1/8	7/8	1 1/8	80000*	375
ASH-BC-SPEC	3 3/4	1	1 3/16	1	2 1/8	7/8	1 1/8	80000*	375
ASH-89-BC	4 5/16	1	1 11/16	1 1/8	2 3/8	1	1 3/8	90000*	528
ASH-89A-BC	6	1	1 3/16	1 1/8	2 3/8	1	1 1/16	90000*	690

Notes:

- 1) For bolt, nut and cotter instead of clevis pin and cotter, add suffix "-BC" to catalog number
- 2) * indicates supplied with bolt, nut and cotter key



Ball - Hook

Material

Forged steel hot dip galvanized

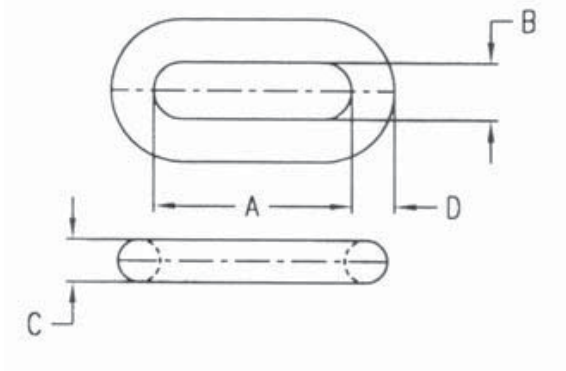
Catalog Number	For Insulator Class	Ultimate Strength (lbs)	Weight /100 (lbs)
BH-5	ANSI 52-3 & 5	30000	105
BH-5L	ANSI 52-3 & 5	30000	125

Notes:

- 1) ANSI 52-5 & IEC 16mm are generally accepted as being interchangeable



Chain Type Insulator Fittings

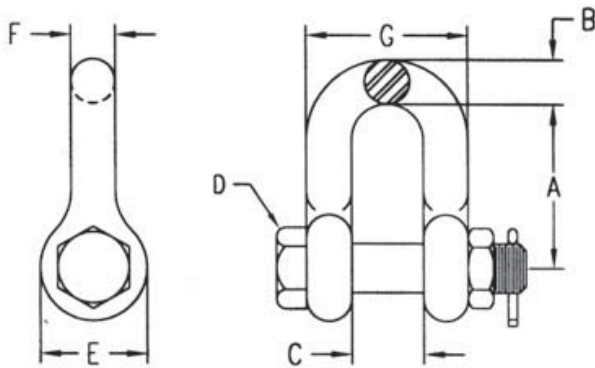


Chain Link

Material

Forged steel hot dip galvanized

Catalog Number	A	B	C	D	Ultimate Strength (lbs)	Weight /100 (lbs)
CL-4	2 1/4	1	1/2	1/2	30000	40
CL-5	3 1/4	1	5/8	5/8	40000	92
CL-6	3 1/2	1	3/4	3/4	60000	145
CL-8	4	1 1/4	1	1	110000	294



Chain Shackle

Material

Shackle:

Forged steel hot dip galvanized

Hardware:

Stainless steel

Catalog Number	A	B	C	D	E	F	G	Ultimate Strength (lbs)	Weight /100 (lbs)
CSH-1010-BC	4 5/8	1 1/4	2	1 1/4	3	1 1/4	4 1/2	100000	965
CSH-1011-BC	4 5/8	1 1/4	2	1 3/8	3	1 1/4	4 1/2	150000	975
CHS-1212BC	5 1/16	1 1/2	2 3/8	1 1/2	3 5/8	1 1/2	5 3/8	200000	1690