



T2 Deadend and Strain Clamps

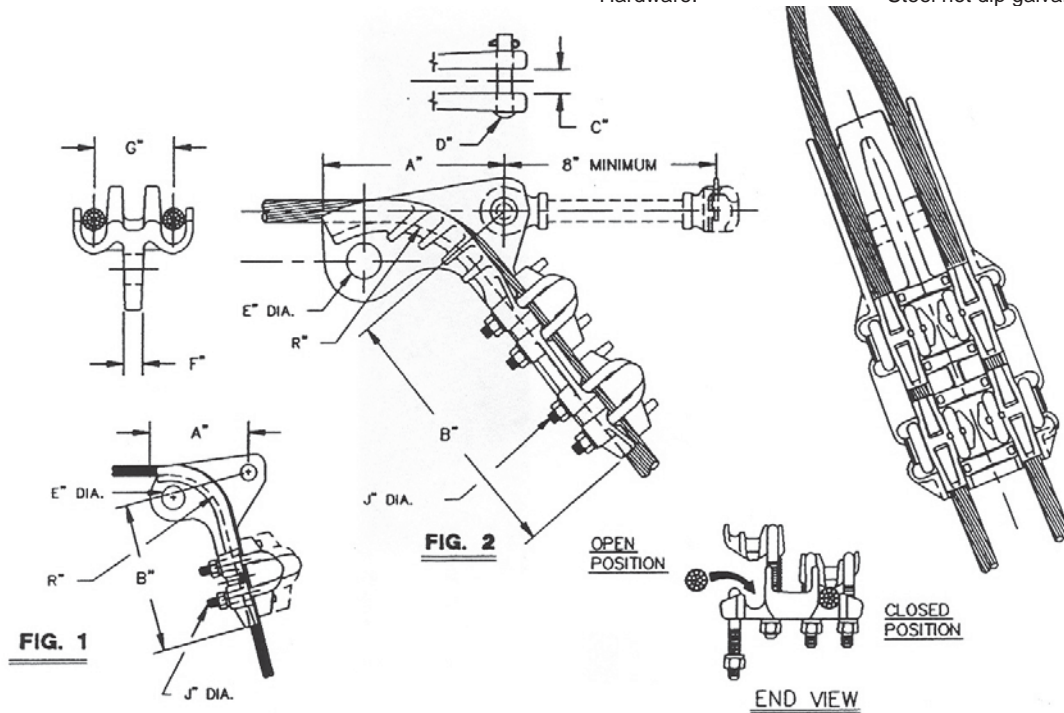
Aluminum T2 Deadend Clamps

Features

- Recommended torque on U-Bolts: 3/8" = 20-25 ft/lbs; 1/2" = 40-45 ft/lbs
- Captive Hardware
- Spring loaded keepers hold keeper in open position for easier conductor installation

Material

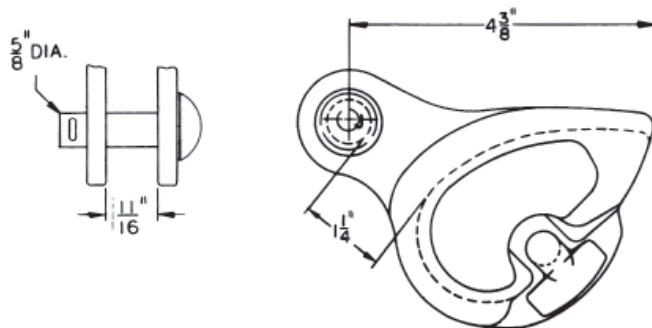
Body and Keeper: Aluminum alloy
 Cotter Pin and Compression Spring: Stainless steel
 Hardware: Steel hot dip galvanized



Catalog Number	Fig.	Conductor Range	Dimensions									Ultimate Strength		Weight /100 (lbs)
			A	B	C	D	E	F	G	J	R	Body	Sag Eye	
AQD-T2-57	1	0.250 - 0.570	5.50	6.63	0.75	5/8	1	1/2	2 3/4	3/8	2 3/8	17000	10000	512
AQDH-T2 94	2	0.502 - 0.940	7.88	11.13	0.88	5/8	1 1/2	5/8	3 3/8	1/2	5	30000	18000	1630

Notes:

- 1) To specify socket fitting, add suffix "HLSE" to catalog number
- 2) It has been determined in field applications; it is not good construction practice to put T2 conductor in a conventional suspension clamp without separating the conductors. This is an extremely clean method for suspending T2 conductor.



Strain Clamp

Features

- Snail Shell Design

Material

Clamp: Cast malleable iron
 J-bolt keeper: Drop forged steel hot dip galvanized

Catalog Number	Fitting Type	Cable Diameter	Ultimate Strength	Weight /100 (lbs)
BT-2111	None	0.156 - 0.522	8000	170