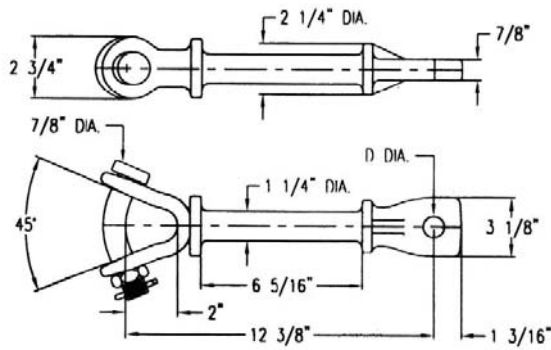




# Y-Clevis Type Insulator Fittings

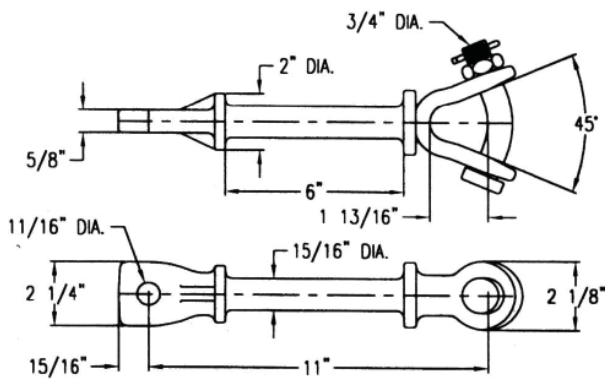


## Y-Clevis - Eye, Hot Line Link

### Material

Ductile iron hot dip galvanized

| Catalog Number | D     | Ultimate Strength (lbs) | Weight /100 (lbs) |
|----------------|-------|-------------------------|-------------------|
| RYCEHL-76-875  | 13/16 | 40000                   | 620               |
| RYCEHL-77-875  | 15/16 | 50000                   | 620               |

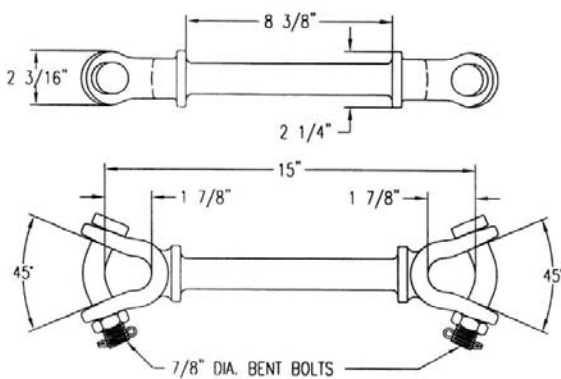


## Y-Clevis - Eye, Hot Line Link

### Material

Ductile iron hot dip galvanized

| Catalog Number | Ultimate Strength (lbs) | Weight /100 (lbs) |
|----------------|-------------------------|-------------------|
| YCEHL-65-625   | 30000                   | 320               |



## Y-Clevis-Y-Clevis, Hot Line

### Material

Fitting: Ductile iron hot dip galvanized  
Bolts and Nuts: Steel hot dip galvanized  
Cotter Pin: Stainless steel

| Catalog Number | Ultimate Strength (lbs) | Weight /100 (lbs) |
|----------------|-------------------------|-------------------|
| YCYCHL-77      | 50000                   | 300               |