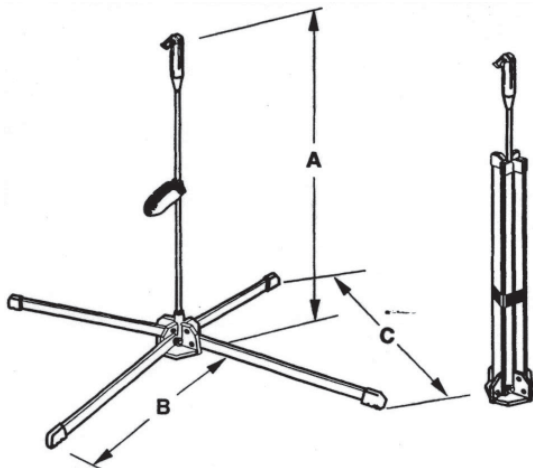
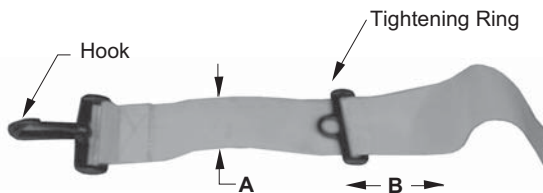
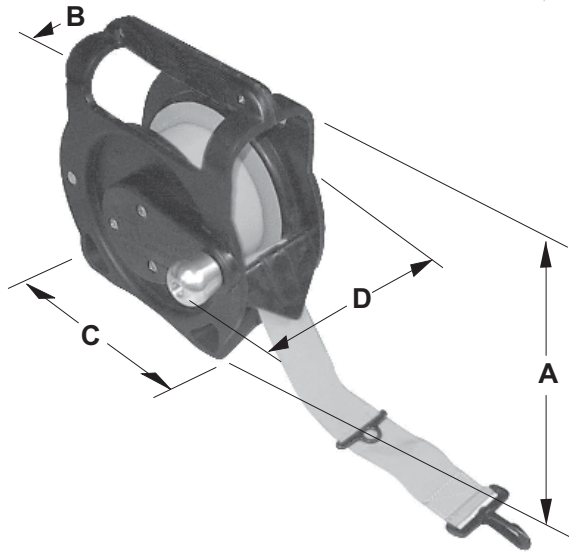




Reels, Tape, Posts and Cones



Reels and Tape

Features

- Holds 2" wide warning tape
- Unique mechanism prevents fraying of tape
- Locking Handle
- Sturdy plastic hook used to attach to end of pole or any other structure
- Optional aluminum base for a secure installation
- Reel installs paridly with a wing nut

Material

Enclosure: Polyurethane
 Tape: Vinyl
 Handle: Aluminum
 Hardware: Stainless steel
 Optional Base: 1/4" thick 0601T6 aluminum

Catalog Number	A	B	C	Weight Ea (lbs)
HC-10133	5	3	10	2.5

Catalog Number	A	B	C	D	Weight Ea (lbs)
HC-10134	9 3/4	3 3/4	9	5 1/2	3.1

Catalog Number	A	B	C	D	Color	Length of Tape	Weight Ea (lbs)
HC-10135	9 3/4	3 3/4	9	5 1/2	Red	100	4.4
HC-10135-150	9 3/4	3 3/4	9	5 1/2	Red	150	5.0

Reels and Tape

Features

- Used with a reel to mark a work area
- Flourescent red for greater visibility

Material

Enclosure: Polyurethane
 Hook and Tightening Ring: Plastic

Catalog Number	A	B	Weight Ea (lbs)
HC-10136	2	100	1.3
HC-10136-150	2	150	1.9

Posts and Cones

Features

- Used to hold different types of markers such as warning tape, a rope, a display or a warning flag to mark a working area
- Folding legs and a velcro strap allows for easy storage

Material

Rod: Fiberglass
 Head and Feet: Polyurethane

Catalog Number	A	B	C	Weight Ea (lbs)
HC-10062	38	25	36	5.6
HC-10062-T	6	1 1/4	3/4	0.2
HC-10137	3 1/2	17 1/4	5	0.8