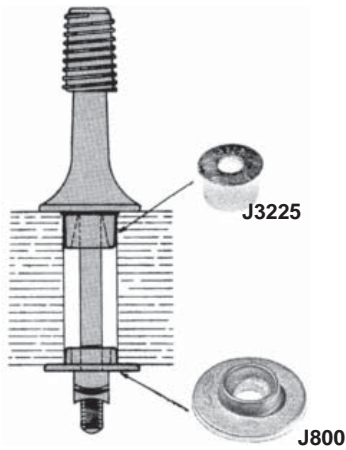




Pins



Adapters, Pin Hole

Pin hole adapters or centering washers are used with 5/8" diameter shank steel pins on wood crossarms previously drilled with 1 1/2" holes for wood pins.

Features

- Adapter top is placed in the top of the pin hole and is held in place by a circular rim at the top
- Bottom adapter is placed in the bottom of the pin hole to center the pin shank and provide a firm bearing surface for the nut

Material

Steel hot dip galvanized

Catalog Number	Type	Pin Dia	OD	Thickness (in)	Weight/100 (lbs)
J3225	Top	5/8	1 11/16	1 11/16	31.5
J800	Bottom	5/8	2 3/4	5/8	37.5

Angle Crossarm

Angle pin brackets can be used for angle construction on crossarms or mounted on the side of poles.

Features

- Mount with a 5/8" diameter machine bolt
- Pin base is flat for mounting to either a pole or crossarm
- Angle crossarm pins have a smooth base on the bottom for mounting on wood or fiberglass arms

Material

Pin Body: Ductile iron hot dip galvanized
Threads: Nylon alloy or lead

Catalog Number	Thread Material	Insulator Thread (in)	A	B	C	Weight/100 (lbs)
P400Z	Nylon Alloy	1	6	4 1/8	4	320
P400	Lead	1	6	4 1/8	4	325
PA400Z	Nylon Alloy	1	6	4 1/8	4	453
PA400	Lead	1	6	4 1/8	4	458
PA401AZ	Nylon Alloy	1 3/8	8	4 1/2	4	595
PA401A	Lead	1 3/8	8	4 1/2	4	600
P402Z	Nylon Alloy	1	8	4 1/2	4	536
PA402Z	Nylon Alloy	1	8	4 1/2	4	600

Notes:

- 1) PA Series include: 5/8" x 7" machine bolt; 5/8" square nut; 5/8" MF locknut; and square flat washers

Angle Crossarm

Features

- Designed for use on slight angles on rural lines
- Reinforced with a 1/4" x 1 1/4" welded brace and 3/16" x 3" x 5" welded base plate
- Spike is included on the bottom to resist movement

Material

Pin Body: Steel hot dip galvanized
Threads: Lead

Catalog Number	Thread Material	Insulator Thread (in)	Angle (°)	Weight/100 (lbs)
J215	Lead	1	22.5	336

