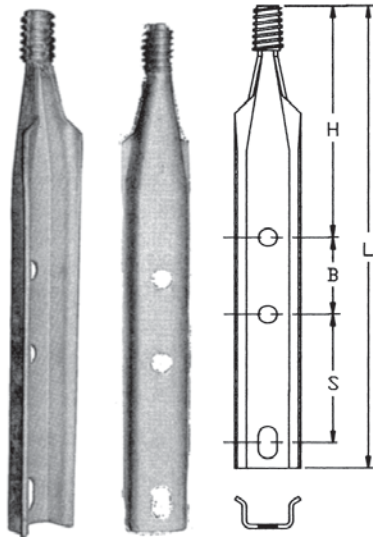




# Pins



**Straight Base**

## Pole Top

### Features

- Pressed steel pole top pins with nylon alloy insulator threads are mounted against the pole with 5/8" bolts
- Lower hole is slotted 11/16 x 1 1/4" on both 2 and 3 hole styles

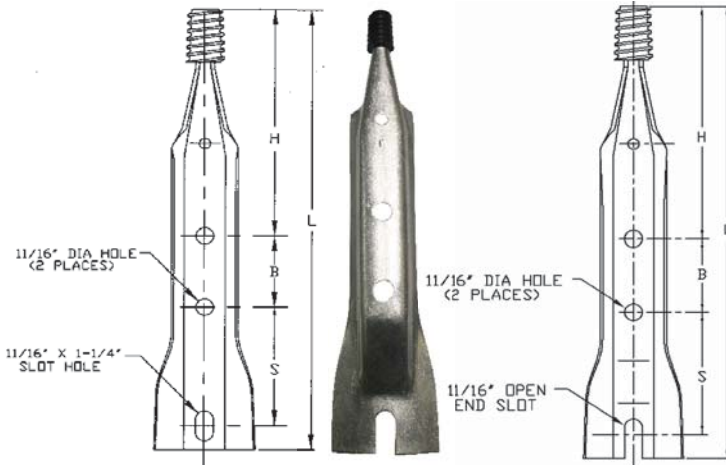
### Material

Pin body: Steel hot dip galvanized  
Threads: Nylon alloy

Pressed Steel - Straight Base							
Catalog Number	Thread Material	Insulator Thread (in)	L	S	B	H	Weight/100 (lbs)
J715Z	Nylon Alloy	1	15	5	2-hole	9	323
J1368ZSL	Nylon Alloy	1	18	5	3*	9	280
J1368Z	Nylon Alloy	1	18	5	3	9	283
J744Z	Nylon Alloy	1	24	5	3	15	450
J720Z	Nylon Alloy	1 3/8	20	8	2-hole	11	327
J740Z	Nylon Alloy	1	20	8	2-hole	11	320
J1220Z	Nylon Alloy	1	20	5	3	11	314

### Notes:

\* Lower slot is open (non-enclosed) on J1368ZSL



**Flared Base  
Semi-Closed Neck  
J2008Z**

**Flared Base  
Semi-Closed Neck  
J2008-XZ**

## Pole Top

### Features

- Lower end is flattened and flared to give a solid bearing surface when mounted with the flange against the pole
- Holes are for 5/8" mounting bolts

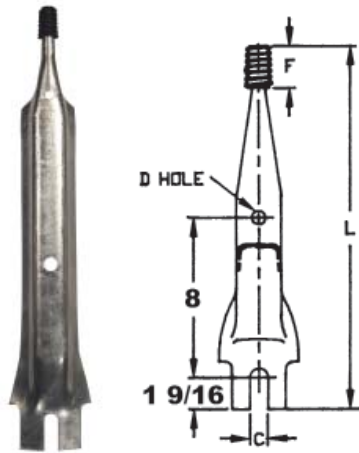
### Material

Pin body: Steel hot dip galvanized  
Threads: Nylon alloy or lead

Flared Base - Semi-Closed/Folded Neck							
Catalog Number	Thread Material	Insulator Thread (in)	L	S	B	H	Weight/100 (lbs)
J2008-XZ	Nylon Alloy	1	18	5	3	9	280
J2008Z	Nylon Alloy	1	18	5	3	9	280



# Pins



**Flared Base  
Open Lower Slot**

## Pole Top

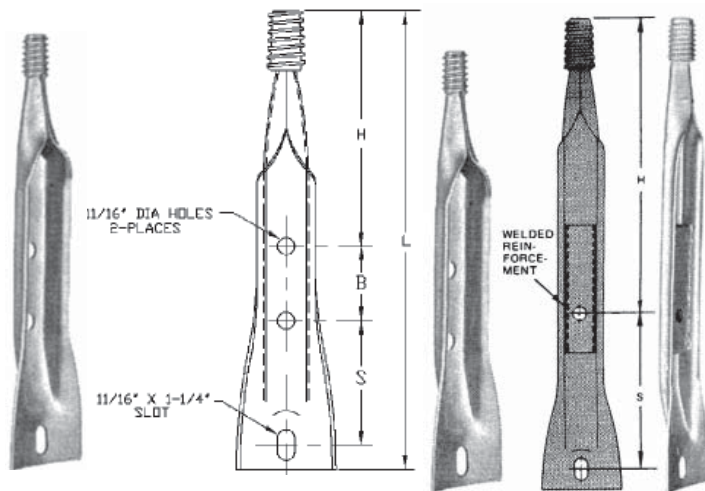
### Features

- Pressed steel pole top pins with nylon alloy insulator threads are mounted against the pole with 5/8" bolts
- Lower hole is slotted 11/16 x 1 1/4" on both 2 and 3 hole styles

### Material

Pin body: Steel hot dip galvanized  
Threads: Nylon alloy

Flared Base - Open Lower Slot							
Catalog Number	Thread Material	Insulator Thread (in)	L	C	D	F	Weight/100 (lbs)
J26945Z	Nylon Alloy	1	24	11/16	11/16	1 3/4	430
J26947Z	Nylon Alloy	1 3/8	24	11/16	11/16	2 1/8	450
J26946Z	Nylon Alloy	1	24	13/16	13/16	1 3/4	430
J26948Z	Nylon Alloy	1 3/8	24	13/16	13/16	2 1/8	450



**Flared Base  
Closed Neck  
J2008SES**

**Flared Base  
Closed Neck  
J2010 & J2011**

## Pole Top

### Features

- Lower end is flattened and flared to give a solid bearing surface when mounted with the flange against the pole
- J2010 and J2011 pins are reinforced by a channel welded into the back which gives a rigid box section and greatly increased strength
- Holes are for 5/8" mounting bolts

### Material

Pin body: Steel hot dip galvanized  
Threads: Nylon alloy or lead

Flared Base - Closed/Folded Neck							
Catalog Number	Thread Material	Insulator Thread (in)	L	S	B	H	Weight/100 (lbs)
J2008SES	Lead	1	18	5	3	9	323
J2010	Lead	1	24	8	2-hole	15	530
J2011	Lead	1 3/8	24	8	2-hole	15	590