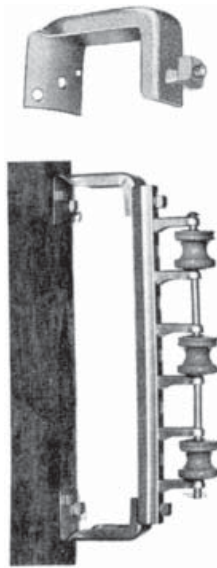




Racks



Extension Bracket

Rack extension brackets are used to provide additional clearance between a secondary rack and the pole surface when necessary to clear obstructions or maintain proper wire alignment.

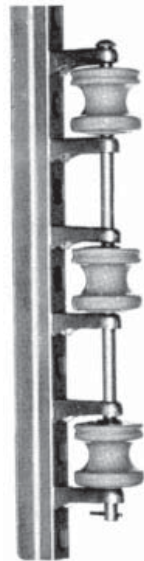
Features

- 2 brackets required for installation
- Curved to fit the pole and has 3 staggered holes to permit mounting with 5/8" bolt or two 1/2" lag screws
- 5/8" x 2" carriage bolt is furnished for attaching the rack

Material

Steel hot dip galvanized

Catalog Number	Extension from Center of Pole	Weight/100 (lbs)
J2355	6	272
J2357	9	325



Secondary

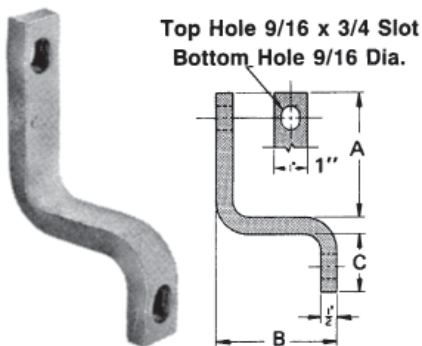
Features

- Exceeds strength specifications for both ANSI medium and heavy type
- Curved back fits snugly to the pole with a 3 1/4" wide bearing surface
- Mounting slots on the extended styles are for 5/8" bolts
- Groove in the back will retain a 5/8" square nut, permitting the rack to be installed over existing bolts without disturbing present installations
- J101 or J151 insulators should be ordered separately

Material

Steel hot dip galvanized

Catalog Number	Number of Wires	Wire Spacing (inches)	Overall Length (inches)	End Mounting Hole Spacing (inches)	Approximate Shipping Weight (lbs per 100 pcs.)
J767	2	8	18	16	540
	3	4			
J768	3	8	26	24	760
J769	3	12	34	32	980
	4	8			



Underground Support Bracket

Features

- Permits rack to be mounted at a 3 - 5/8" clearance from the vault wall

Material

Steel hot dip galvanized

Catalog Number	Steel Size (in)	A	B	C	Weight/100 (lbs)
J5116	1 x 1/2	3 3/4	3 5/8	1 3/4	117