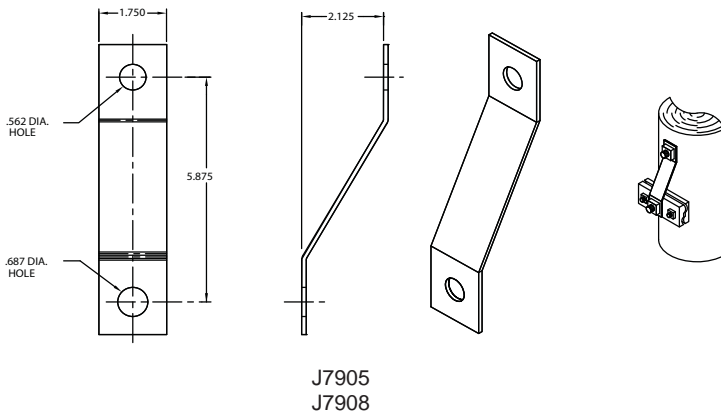




# Straps and Struts



## Reinforcing

Reinforcing straps support the messenger bolt at locations of heavier than normal loading stress, such as long spans.

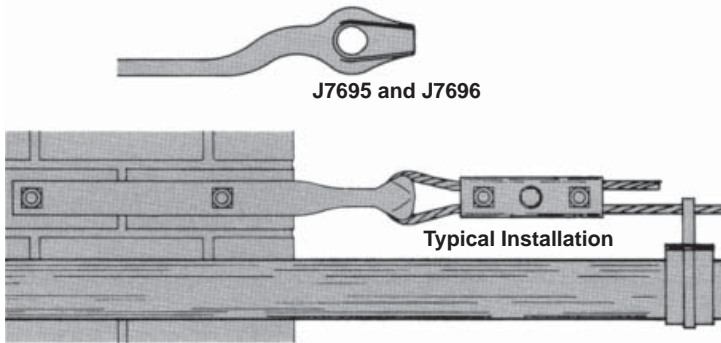
## Features

- Used with cable suspension clamps
- Lower hole fits over the messenger bolt and the top end is fastened to pole with a lag screw

## Material

Steel hot dip galvanized

Catalog Number	Steel Size (in)	A	B	C	D	Weight/100 (lbs)
J7905	1/8 x 1 3/4	2 1/4	5 7/8	9/16	11/16	51
J7908	1/8 x 2	2 1/4	5 7/8	11/16	13/16	56



## Wall

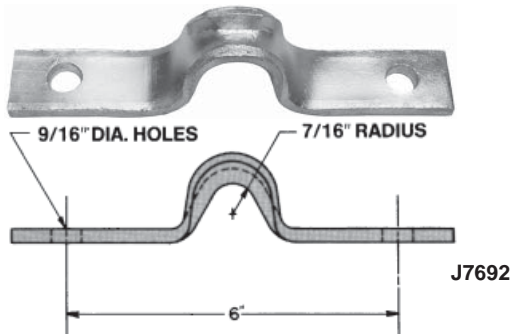
Wall straps are used for guying and deadending messenger strand to building walls.

## Features

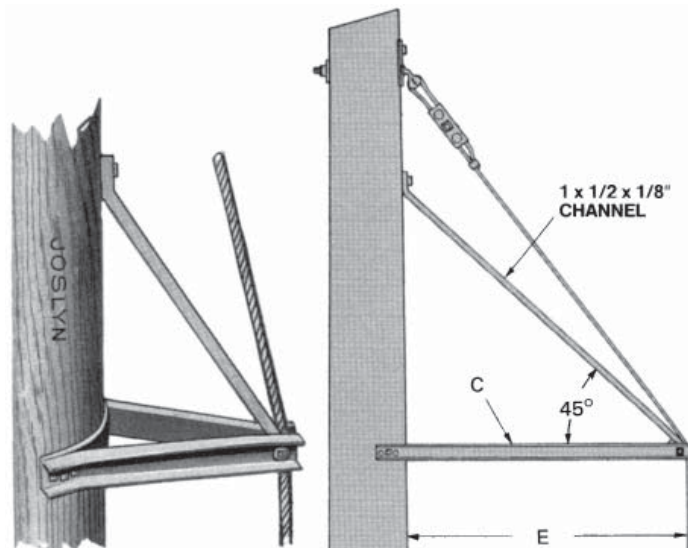
- J7692 is formed from 1 7/32 x 15/64" steel
- J7692 is used to terminate strand at a right angle to the building wall
- A wire rope thimble is recommended to protect the strand when using a J7692 wall strap
- J7695 and J7696 terminate strand at the building corners
- J7695 and J7696 are made of 1 3/8 x 11/32" steel with a forged thimbleye
- J7695 has 2 and the J7696 has 3 9/16" diameter holes spaced 8" from center to center

## Material

Steel hot dip galvanized



Catalog Number	Overall Length	Weight/100 (lbs)
J7692	8	78
J7695	16 7/8	251
J7696	24 3/8	325



## Pole/Guy Spreaders

Two pole struts are used to help make a pole self supporting where space is limited or the right of way is narrow and normal guying techniques cannot be used.

## Material

Steel hot dip galvanized

Catalog Number	Description	C	E	Weight/100 (lbs)
J0502	Pole Strut	2 x 9/16 x 3/16 channel	15	980
J0503	Guy Spreader	2 x 9/16 x 3/16 channel	36	2000