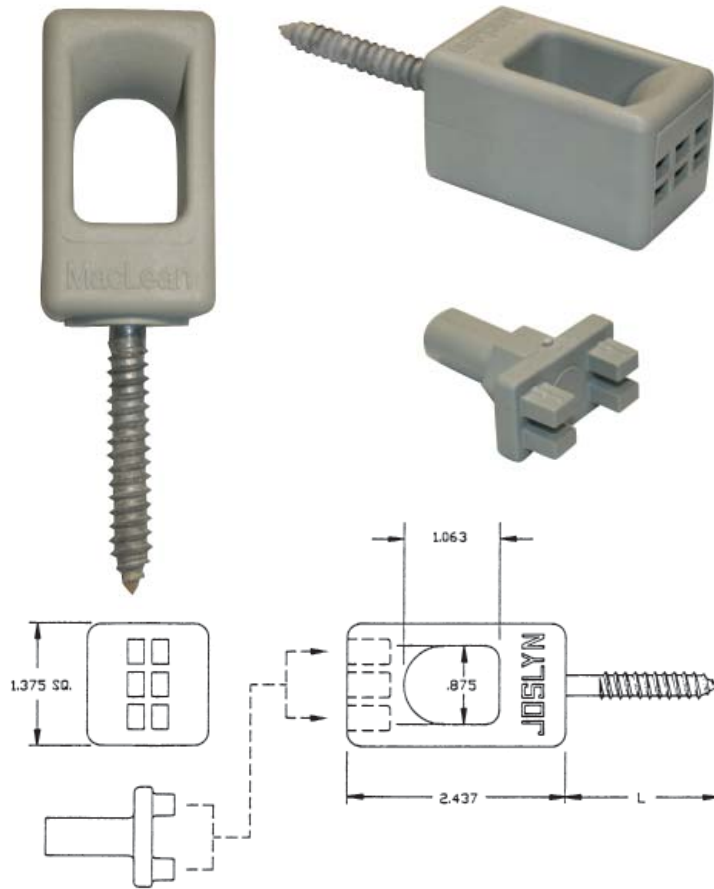




Wireholders



J.E.M. Nylon Alloy Material Z-Series with Galvanized Screw

Features

- Produced from ultraviolet stabilized nylon alloy compound with reinforced fibers which provide twice the strength as porcelain insulators
- Eliminates breaking and chipping problems associated with porcelain
- Square, flat top which can be used with a hammer to start installation
- The flat top also features an “egg carton” design for indexing and engagement into supplied installing tool for use with a 1/2” drive cordless drill to obtain max. installation efficiency

Material

Wireholder: Nylon alloy
Screw: Steel hot dip galvanized

Catalog Number	Lag Screw Dia (in)	Color	L	Weight/100 (lbs)
J089Z	11/32 (#22)	Black	2 1/4	24
J0893Z	11/32 (#22)	Black	3	26
J0894Z	11/32 (#22)	Black	4	28
J089ZG	11/32 (#22)	Gray	2 1/4	24
J0893ZG	11/32 (#22)	Gray	3	26
J0894ZG	11/32 (#22)	Gray	4	28

Service Mast, Nylon Alloy

Features

- Manufactured from an engineered blend of nylon alloy reinforced with fibers to provide twice the fracture strength as porcelain.
- Material is UV stabilized for extended service life in ultraviolet exposure
- Open slot for the bracket to be installed without disassembling the bolts
- Accommodates a range of 1 1/4” through 3” diameter pipe
- Dimensions of the nylon alloy insullator are the same as shown for the J089Z wireholders

Material

Wireholder: Nylon alloy
Screw: Steel hot dip galvanized



Catalog Number	Color	Weight/100 (lbs)
J0588Z	Black	110
J0588ZG	Gray	110