



Brackets

Insulator

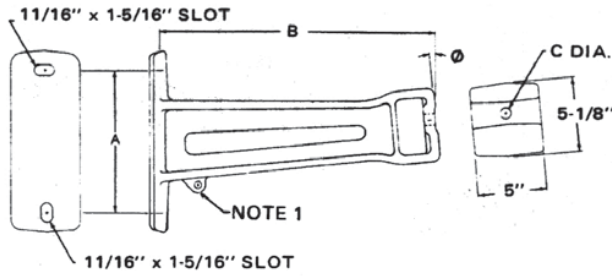
"HBB", "HB" and "HIB" insulator brackets provide flexibility for mounting a variety of equipment horizontally onto the pole.

Features

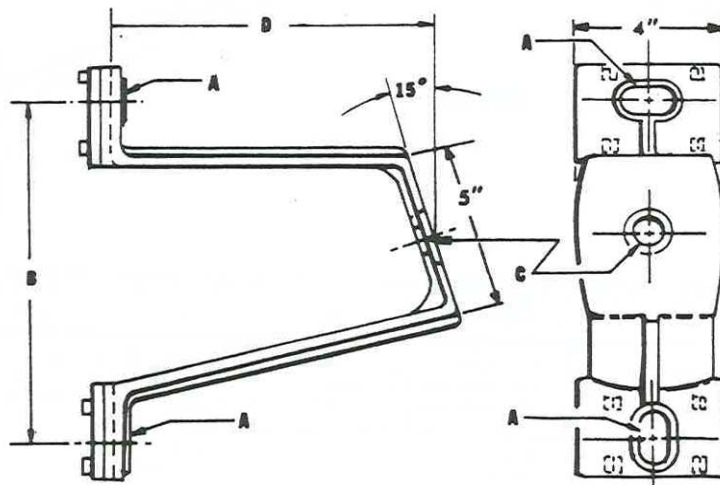
- For mounting line post insulators and insulator pins

Material

HBB series: Ductile iron hot dip galvanized
 HB and HIB series: Ductile iron hot dip galvanized



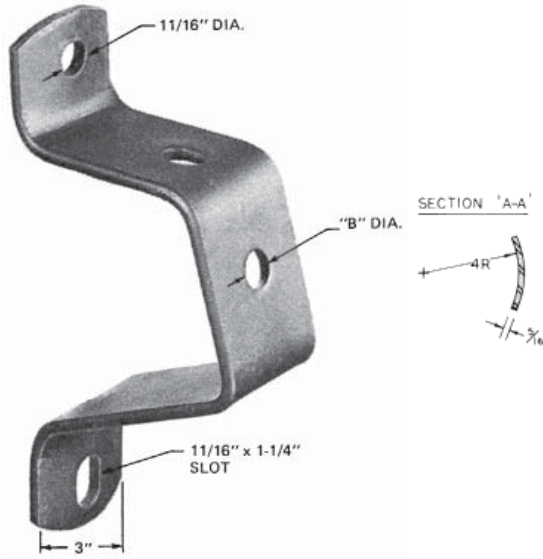
Catalog Number	kV Rating	A	B	C	Angle	In-lbs Rating	Weight /100 (lbs)
HBB-12-32	69	10	32	13/16	5	50120	1950



Catalog Number	kV Rating	A	B	C	D	E	Material	Weight /100 (lbs)
HIB-109-5	35	5/8" Mounting Bolt	10	5/8 - 3/4" Insulator Stud Bolt	9 Pole Clearance	15° Base Angle	Ductile Iron	861
HIB-1020-6A	88	7/8" Mounting Bolt	10 or 12	3/4 - 7/8" Insulator Stud Bolt	20 Pole Clearance	15° Base Angle	Ductile Iron	3300



Brackets

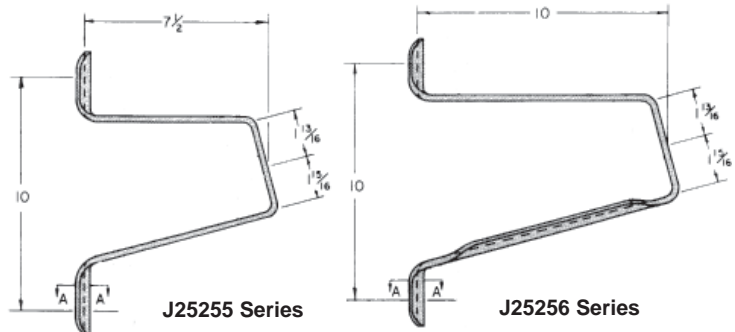


Insulator

Post Insulator brackets are used to mount post type insulators from 15kV through 34.5kV directly to the side of the pole, thus eliminating a crossarm assembly.

Material

Steel hot dip galvanized - 5/16" x 3" steel



Catalog Number	B	Weight /100 (lbs)
J25255.1	11/16	600
J25256.1	11/16	800
J25256.2	13/16	800

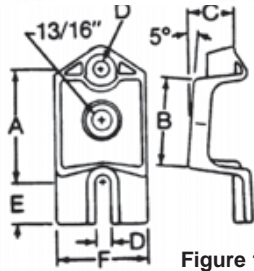


Figure 1

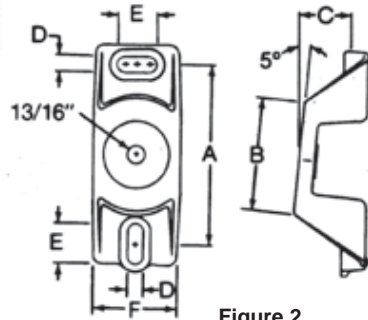


Figure 2

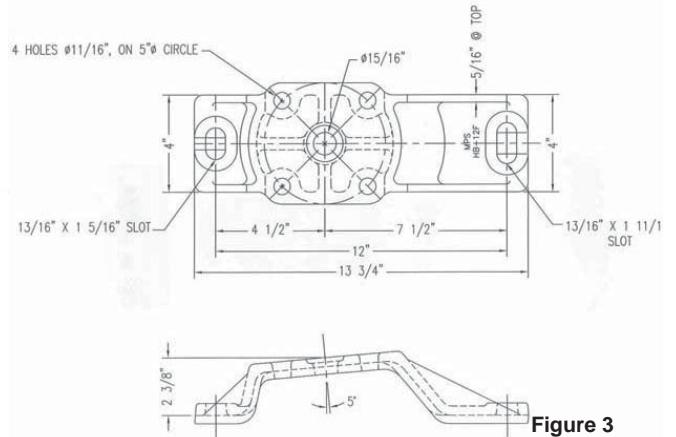
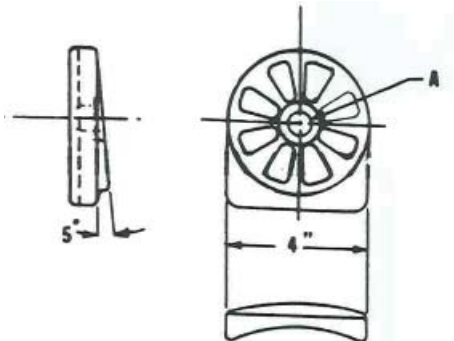


Figure 3

Catalog Number	Fig	kV Rating	A	B	C	D	E	F	In-lbs Rating	Material	Weight /100 (lbs)
HB-6	1	35	5	3 7/8	1 7/8	11/16	1 11/16	4	30000	Aluminum	170
HB-8	2	45	8	5	2 1/4	23/32	1 7/8	3 13/16	40000	Aluminum	260
HB-12F	3	88	12	6 1/4	2 3/8	13/16	1 5/16	5	62000	Ductile Iron	1142
HIB-62-5	1	35	5	3 7/8	2	5/8	1 11/16	4	36750	Ductile Iron	300
HIB-82-5	2	66	8	5	2	5/8	1 7/8	4	50120	Ductile Iron	600

Insulator

For use as a line post insulator adapter



Catalog Number	A	Material	Weight /100 (lbs)
IB-5	11/16	Aluminum	60
UDT-4	13/16	Ductile Iron	150