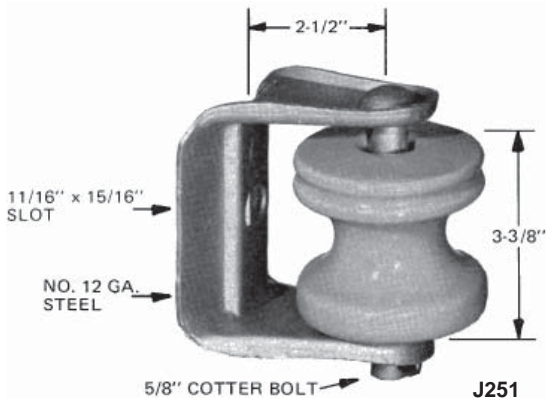
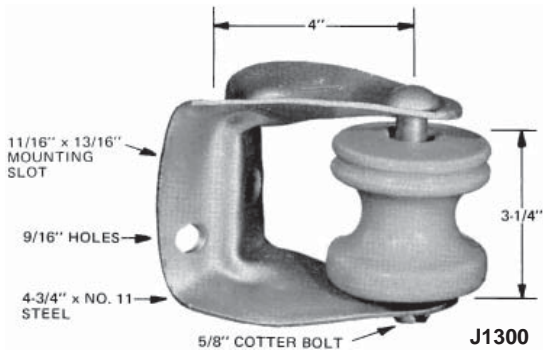
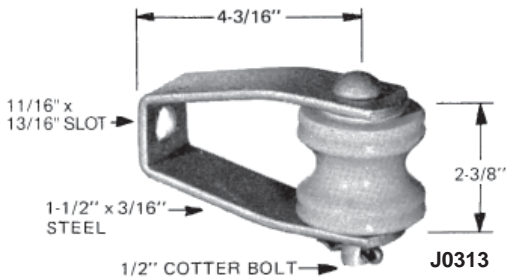
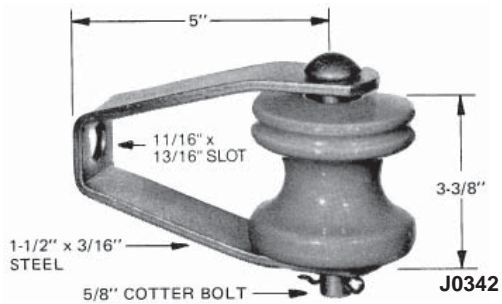




Clevises



Insulated Secondary & Deadend

Features

- Clevis mounting holes are for 5/8" bolts
- Mounting holes are slotted to permit installation without removing insulators
- Insulators must be ordered separately

Material

Steel hot dip galvanized

Catalog Number	Weight /100 (lbs)
J0313	118
J0342	152

Insulated Secondary & Deadend

The J1300 clevis is designed to develop high strength on deadends or line pulls.

Features

- Clevis mounting holes are for 5/8" bolts
- Mounting holes are slotted to permit installation without removing insulators
- Includes mounting slot for one 5/8" machine bolt and two staggered side holes for 1/2" lag screws
- Used with either the J151 or J0101 spool insulator which is ordered separately

Material

Steel hot dip galvanized

Catalog Number	Weight /100 (lbs)
J1300	210

Insulated Secondary & Deadend

Features

- Clevis mounting holes are for 5/8" bolts
- Mounting holes are slotted to permit installation without removing insulators
- Used with the J151 spool insulator which is ordered separately

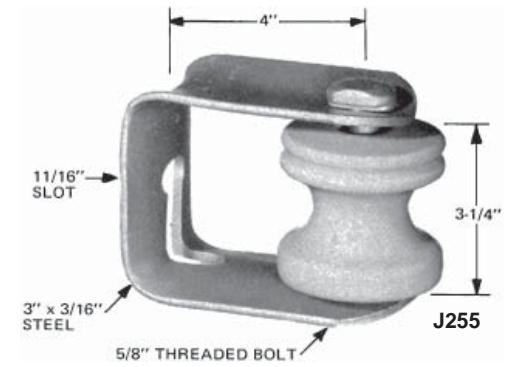
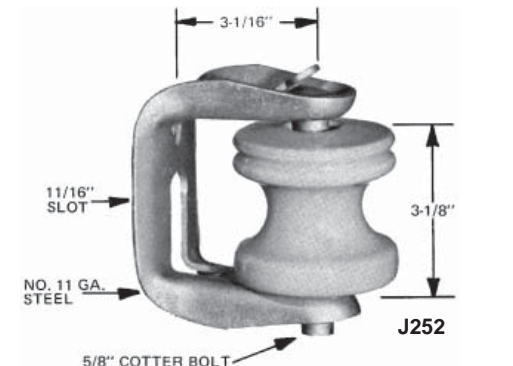
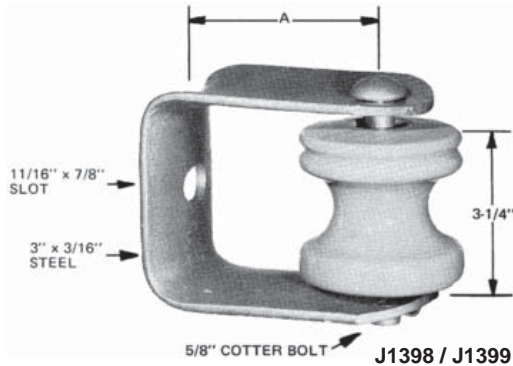
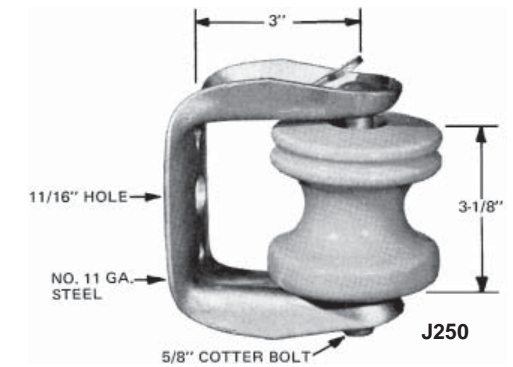
Material

Steel hot dip galvanized

Catalog Number	Width	Weight /100 (lbs)
J251	3 3/4	118



Clevises



Insulated Secondary & Deadend

Features

- The J250 has two sharp projections in the back to prevent it from twisting
- The cotter belt is held in position by means of the same type of tab that is used on the J252

Material

Steel hot dip galvanized

Catalog Number	A	For use w/Insulator Catalog	Weight /100 (lbs)
J250		J151 or J101	152
J1398	3 1/2	J151 or J101	240
J1399	4	J151 or J101	254

Insulated Secondary & Deadend

The J252 and J255 Secondary Pulley Brackets are designed for use both as stringing pulleys and as secondary clevises, making them especially useful for stringing and sagging conductors.

The conductor is strung and sagged with the bracket in the pulley position where it cannot bind. The 90° slot in the base makes it possible to rotate the bracket into the clevis position before or after the conductor is tied to the spool.

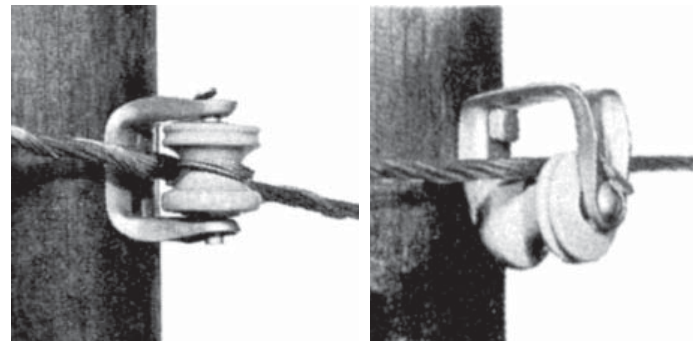
Features

- J252 light-type has a metal tab which contains the insulator bolt
- The cotter bolt of the J255 heavy duty-type threads into the bottom of the clevis, locking the special Twist-Lock head into a groove in the clevis top
- Both features eliminate the cotter pin

Material

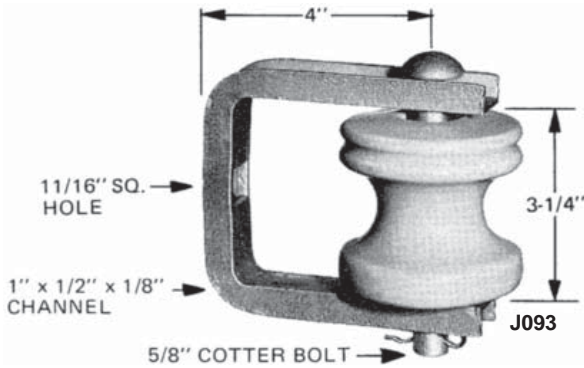
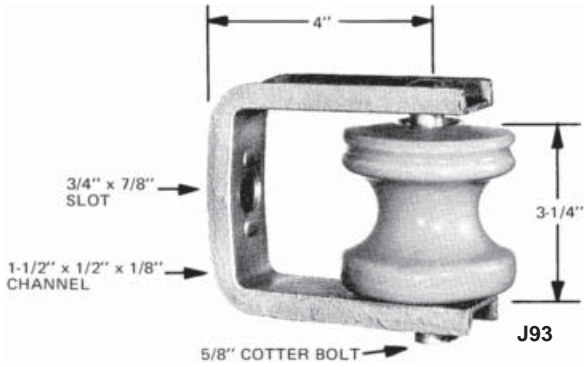
Steel hot dip galvanized

Catalog Number	For use w/Insulator Catalog	Width	Weight /100 (lbs)
J252	J151 or J101	2 5/8	150
J255	J151 or J101 or J0101	3	256





Clevises



Insulated Secondary & Deadend

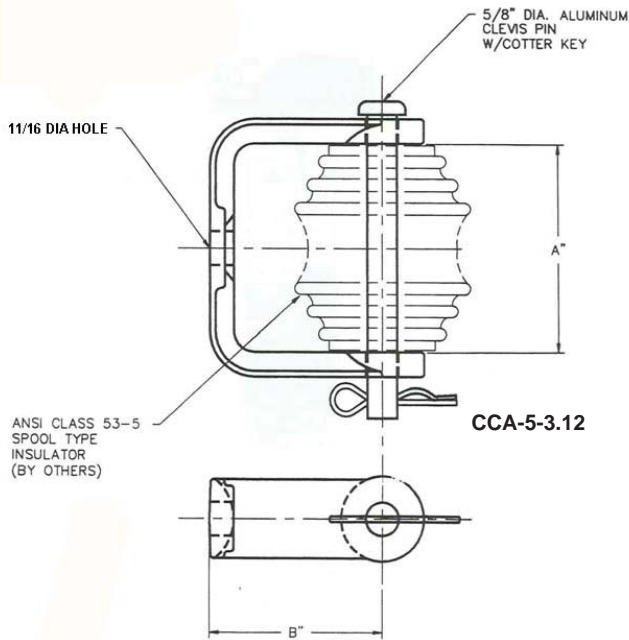
Features

- J93 Clevis is formed from stiff, hot rolled channel, making it much heavier and stronger than similar brackets made of pressed steel channel
- The J93 clevis features raised projections near the bolt mounting slot which assist in capturing the bolt head to resist turning
- The J093 clevis has an 11/16 inch square hole for mounting with either a 5/8 inch carriage or machine bolt

Material

Steel hot dip galvanized

Catalog Number	For use w/Insulator Catalog	Weight /100 (lbs)
J93	J151 or J101	168
J093	J151 or J101	140



Insulated Secondary & Deadend

Features

- Corrosion resistant aluminum alloy clevis for use with a 3 in. spool insulators

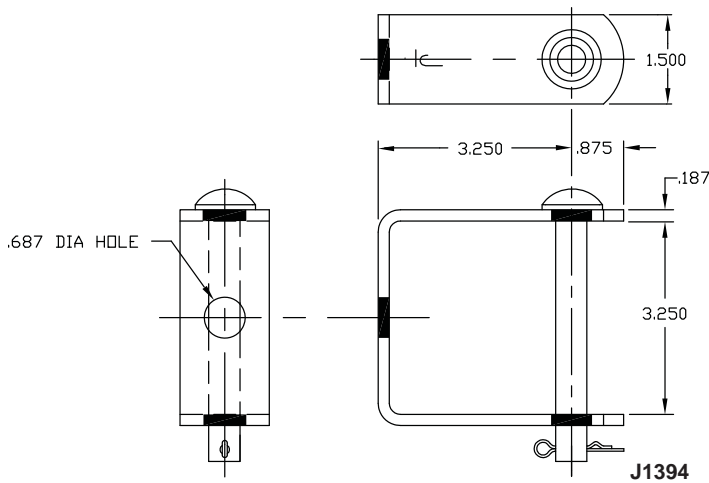
Material

Clevis Body: Aluminum Alloy
 Hardware: Aluminum Alloy
 Cotter Key: Stainless Steel

Catalog Number	A	B	Weight /100 (lbs)
CCA-5-3.12	3 1/8	3 5/8	85



Clevises



Insulated Secondary & Deadend

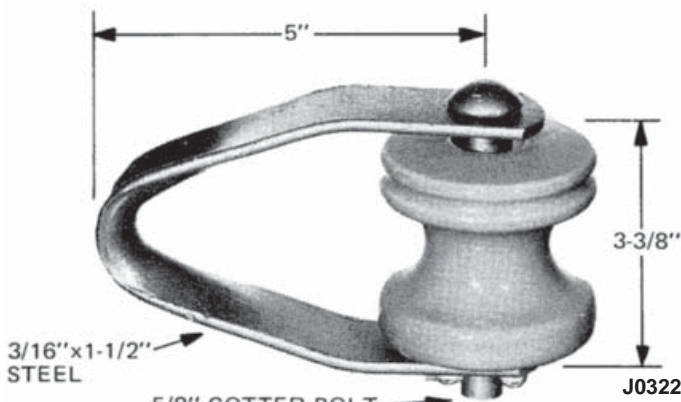
Features

- Economical secondary clevis for standard 3 inch spool insulator

Material

Steel hot dip galvanized

Catalog Number	For use w/Insulator Catalog	Weight /100 (lbs)
J1394	J151 or J101	124



Insulated, Swinging

Features

- The J0322 and J1614 are used with 5/8 inch or larger eyebolts or eye nuts giving a flexible mounting for equalizing strains at corners
- The J1626 can be bolted to crossarms to provide an insulated deadend assembly

Material

Steel hot dip galvanized

Catalog Number	Weight /100 (lbs)
J0322	160
J1614	45
J1626	95

