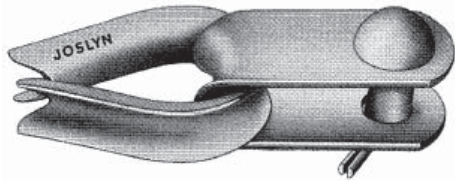




# Clevises



J575

### Thimble

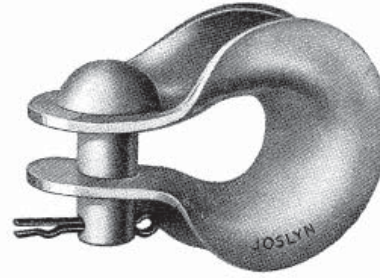
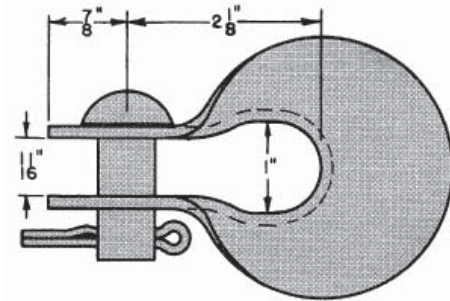
Formed steel thimble clevises provide a light duty, economical interface fitting to deadend wire grips, guy wire, conductor or bails to eye type fittings of insulators, eyebolts and pole eye plates.

### Features

- Used where 1 1/2 inch wire seat diameters are required.

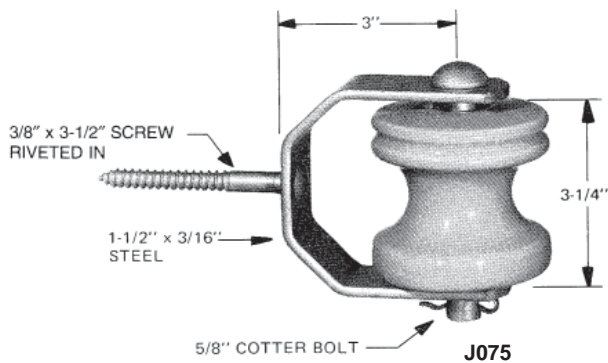
### Material

Pressed steel hot dip galvanized



Pressed Steel J554 and J555

Catalog Number	Pin Dia	Ultimate Strength (lbs)	Clevis Opening	Weight /100 (lbs)
J554	1/2	10000	1	97
J555	5/8	10000	1	101
J575	5/8	7500	1	100



J075

### Wireholder

### Features

- Used with either the J101 or J151 spool insulator for attaching services where triplex-type cable is used
- Insulator sold separately

### Material

Steel hot dip galvanized

Catalog Number	Weight /100 (lbs)
J075	136