



Eyelets

Thimbleye and Ovaley

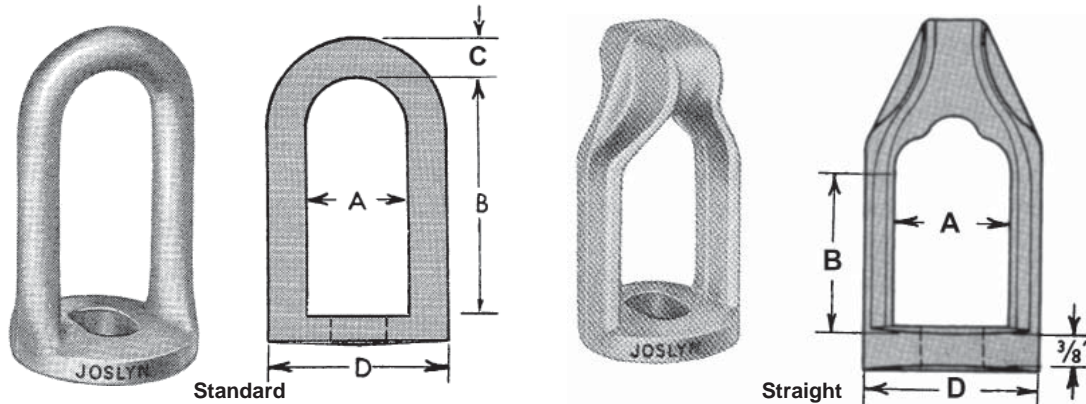
Eyelets, also known as bolt eyes, are used under the head or nut of a bolt. Straight thimble eyelets are used for span guys. Angle thimble eyelets are used for down guys.

Features

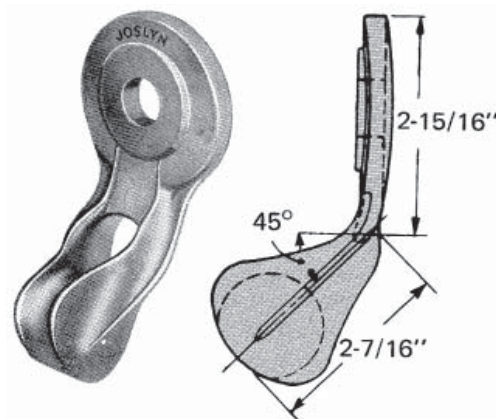
- Compatible with the strength of the bolts used with them; 5/8" = 13,550#, 3/4" = 20,050#
- Standard eyelets are used for deadending
- Standard eyelets and straight thimble eyelets have a slotted hole for ease in inserting the bolt

Material

Steel hot dip galvanized



Catalog Number	Mounting Bolt Hole	Bolt Size (in)	A	B	C	D	Weight /100 (lbs)
J1126	1 1/8 x 11/16	5/8	1 1/4	3	1/2	2 1/4	78
J1127	1 1/8 x 13/16	3/4	1 1/4	3	1/2	2 1/4	70
J6550C	1 x 11/16	5/8	1 5/16	2	3/8	2 1/4	130
J6551	1 1/8 x 13/16	3/4	1 5/16	2	3/8	2 1/4	125



Angle Thimble Eyelet			
Catalog Number	Bolt Dia.	Max Strand	Weight /100 (lbs)
J6500	5/8	1/2	127