



Gains

Braceless Crossarm

Braceless crossarm gains improve the stability of the crossarm and eliminate the need for crossarm braces and pole gaining.

Features

- Design improves the structure appearance and permits the use of fiberglass, wood, steel channel or steel tubular arms
- Accommodates pole diameters from six inches to twelve inches
- Pole mounting slots are 13/16 inch wide on top and 11/16 inch on bottom

Material

Ductile iron hot dip galvanized

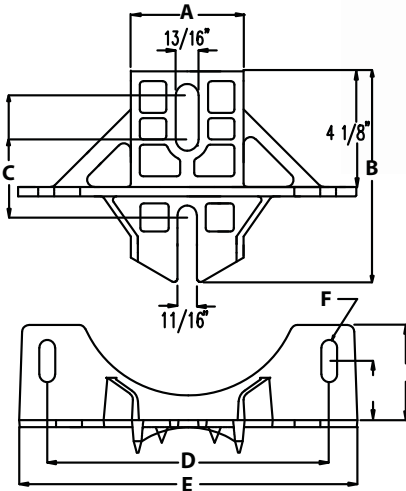


Figure 2

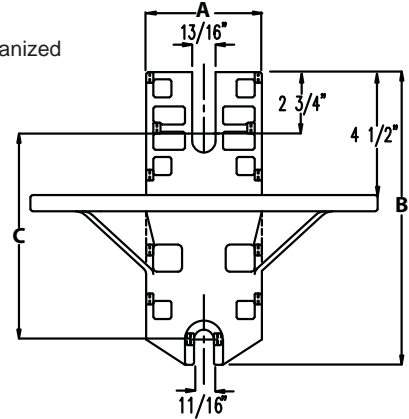
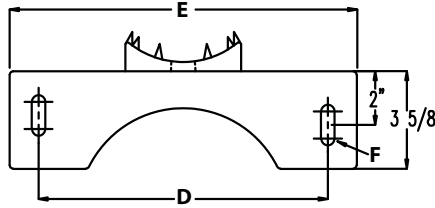
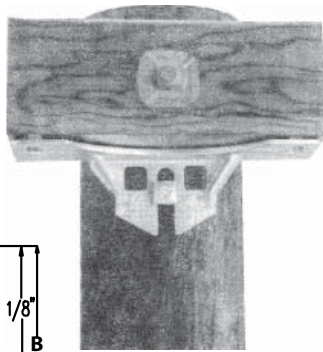


Figure 1

Catalog Number	Fig	Crossarm Range	A	B	C Slot Range	D	E	F	Weight /100 (lbs)
PX171	1	3 1/2 - 8"	4	11	7 1/4"	10	12	9/16 x 1 1/2	717
PX182A	2	4 1/2 - 6"	4	7 1/2	4 1/4 - 6"	10	12	9/16 x 1 1/2	480
PX182B	2	4 1/2 - 6"	4	7 1/2	4 1/4 - 6"	10	12	11/16 hole	485

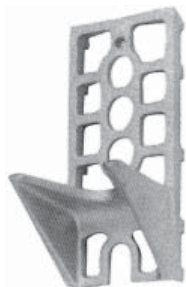


Figure 1



Figure 2

Crossarm (with Shelf)

Crossarm gains with a shelf provide increased stability for crossarm installations to poles.

Features

- Integral teeth on the pole side
- Two separate hole positions for mounting the gain to the pole to enhance supporting the arm to the pole

Material

Ductile iron hot dip galvanized

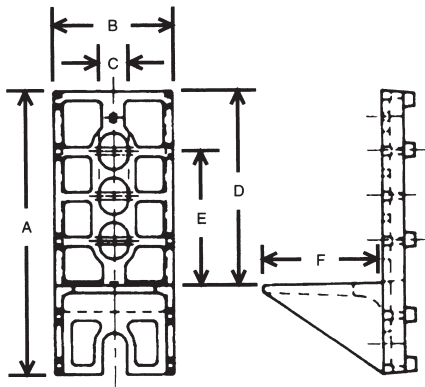


Figure 1

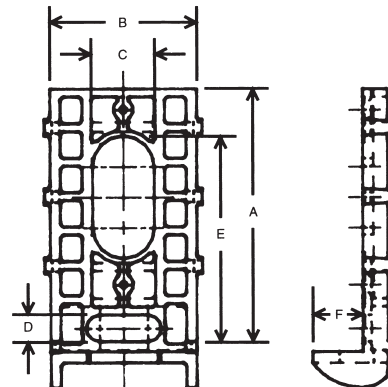


Figure 2

Catalog Number	Fig	Pole Dia. Range (in)	A	B	C	D	E	F	Weight /100 (lbs)
PX249G	1	8 - 12	9 1/2	4	1	6 1/2	4 1/2	4	470
PX249SG	1	8 - 12	13 1/8	4	1 1/16	10 1/8	5 3/8	6 1/2	1000
PX187	2	8 - 12	7 1/4	4	1 3/4	3/4	5 7/8	1 3/8	290