



Guy Attachments

Multiple combination

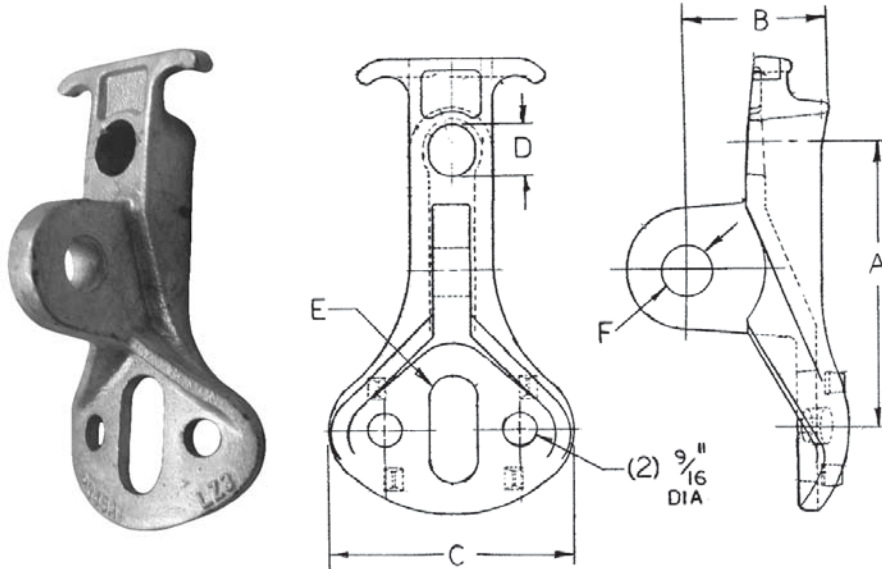
Combination type guy attachments provide flexibility to terminate guy wire or fiberglass guy strain insulators

Features

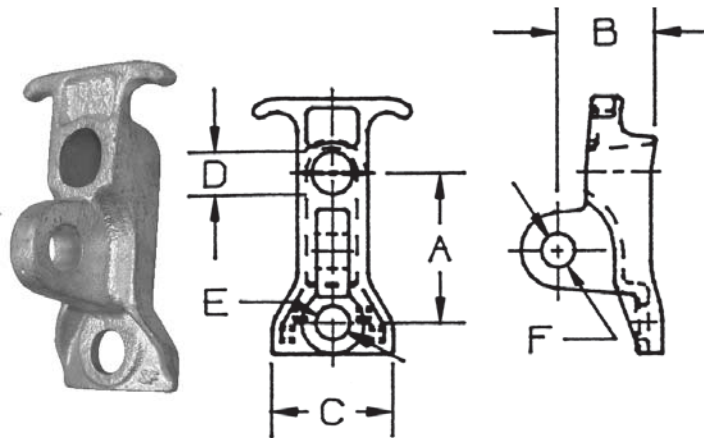
- More surface in contact with pole than other comparable guy attachments
- Greater protection to wood fibers

Material

Ductile iron hot dip galvanized



Catalog Number	A	B	C	D	E	F	45°; Ultimate Str. (lbs)	Weight /100 (lbs)
P345A	4 1/2	2 1/8	4	13/16	7/8 x 1 3/4	13/16	21000	295



Catalog Number	A	B	C	D	E	F	45°; Ultimate Str. (lbs)	Weight /100 (lbs)
MGA-345	3	2	2 7/8	13/16	11/16	11/16	21000	145
MGA-345-N	3	2	2 7/8	13/16	11/16	11/16	21000	145
MGA-345-6	3	1 3/8	2 7/16	13/16	11/16	13/16	21000	145
MGA-345-6N	3	1 3/8	2 7/16	13/16	11/16	13/16	21000	145

Notes:

Suffix "N" indicated no teeth and is for use on steel or concrete poles



Guy Attachments

Multiple Combination

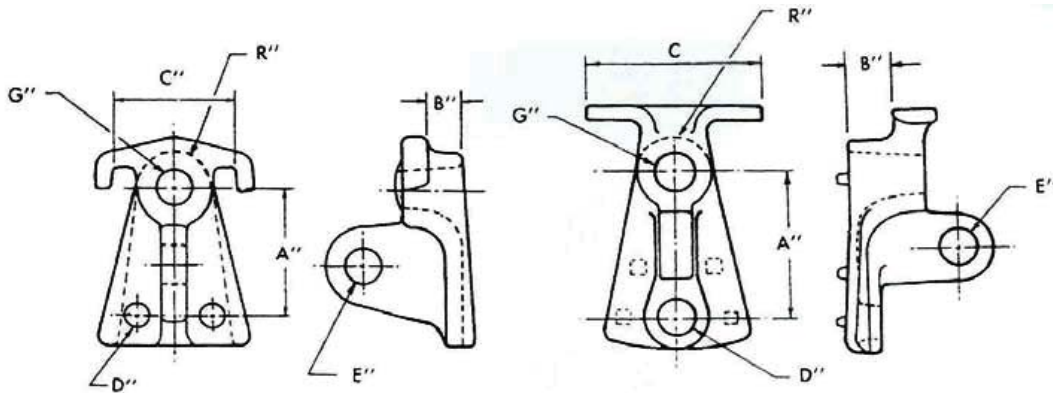
Combination type guy attachments provide flexibility to terminate guy wire or fiberglass guy strain insulators

Features

- For use on round or flat surfaces

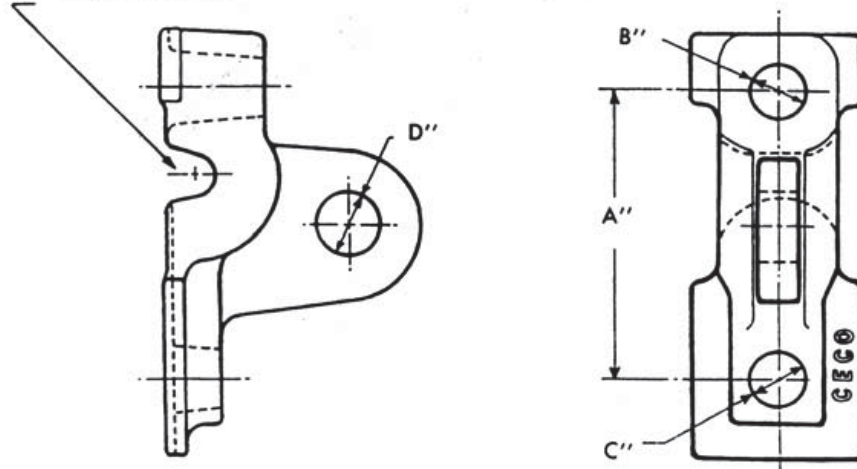
Material

Ductile iron hot dip galvanized



Catalog Number	Fig.	A	B	C	D	E	G	R	45° Ultimate Str. (lbs)	Weight /100 (lbs)
MGA-5	1	2 7/16	5/8	2 5/8	9/16	11/16	11/16	1 3/8	15000	100
MGA-345-A	2	4	5/8	4	11/16	13/16	13/16	1 1/2	21000	275

FOR GUY GRIPS



Catalog Number	A	B	C	D	Max Cable Dia (in)	Min Ultimate Strength (lbs)	Weight /100 (lbs)
UGA-65-3	3	13/16	11/16	11/16	7/16	15000	140
UGA-66-4	4	13/16	13/16	13/16	1/2	21000	255
UGA-66-6	6	13/16	13/16	15/16	9/16	35000	510
UGA-77-6	6	15/16	15/16	15/16	9/16	35000	510
UGA-77-7	6	15/16	15/16	15/16	9/16	35000	510
UGA-77-9	6	15/16	15/16	1 3/16	9/16	35000	510
UGA-88-8	6	1 1/16	1 1/16	1 1/16	9/16	35000	510