

MALLEABLE IRON - GALV.

PX 156

APPROVED		DATE
FULL SIZE		10 - 11 - 56
SCALE	DR. BY	CK. BY
	C. F. G.	

1-5346

MATERIAL

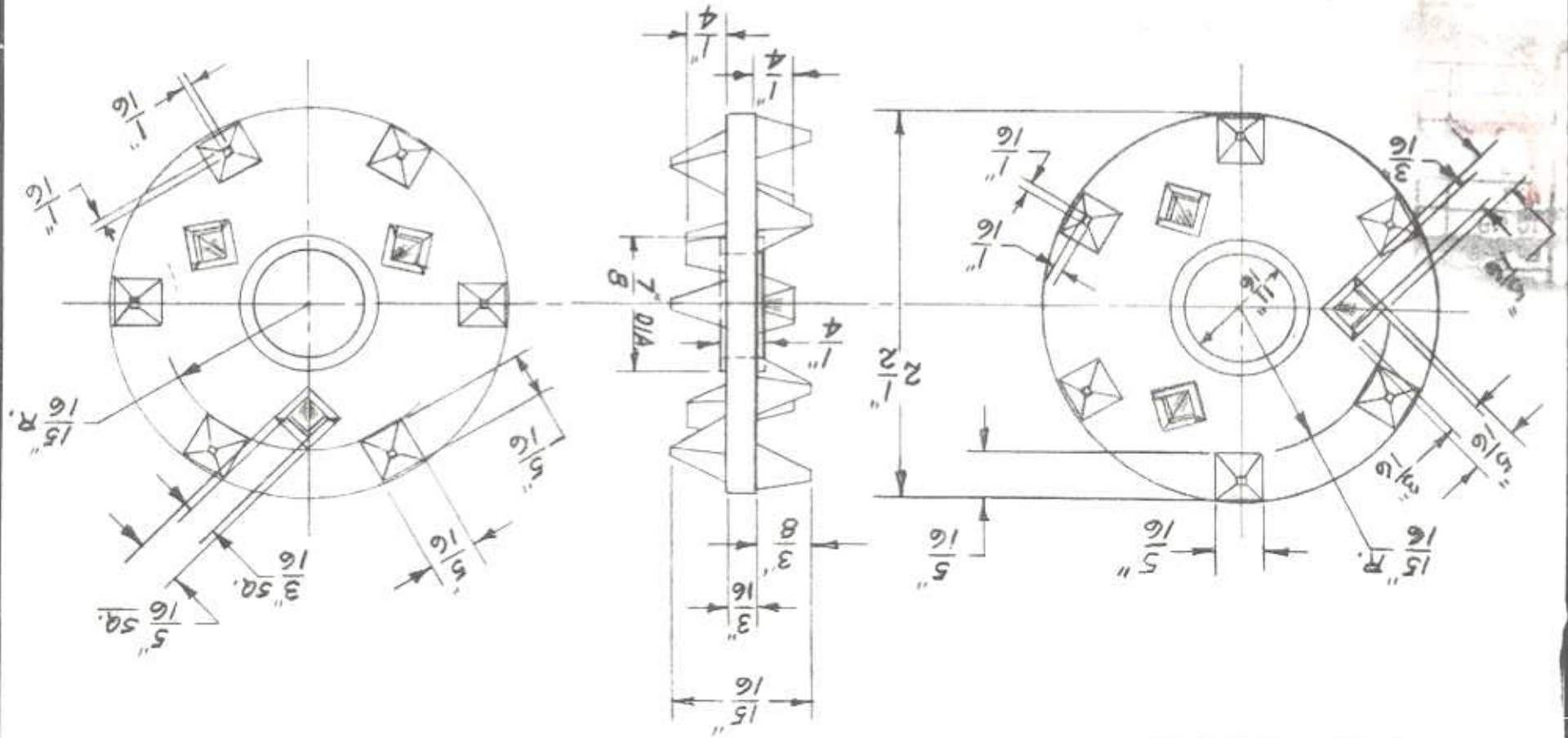
PAT. OR PART NO.

QUAN.

2 1/2" DOUBLE FACE TIMBER CONNECTOR

MALLEABLE IRON FITTINGS CO.
BRANFORD, CONN.

SUPPERSEDES DWG. NO. 1-4051 DATED 3-18-53



MACHINING TOLERANCE NOT OTHERWISE SPECIFIED TO BE ± 1/64