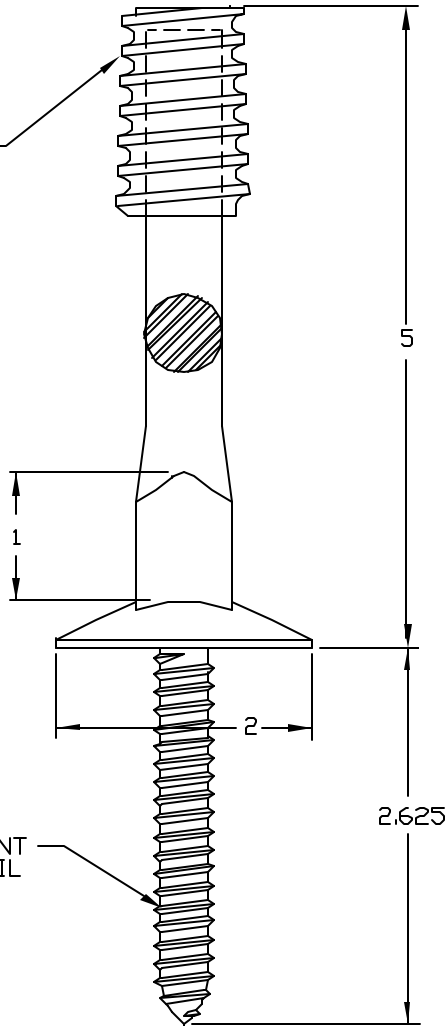


NYLON ALLOY  
1 THREAD



.5 DIA GIMLET POINT  
SEE THREAD DETAIL

NOTES:

- 1) ALL DIMENSIONS ARE IN INCHES
- 2) HOT DIP GALVANIZED (ASTM A-153)

				CATALOG NO. J025Z	
				<b>JOSLYN</b> MANUFACTURING CO.	
				TRANSFORMER TRAINER PIN NYLON ALLOY THREAD	
NO.	REVISION	DATE	CK.	DATE 7-20-05	DWG. NO. 1070Z-C
UNSPECIFIED FRACTIONAL ±		DIMENSIONAL DECIMAL ±	TOLERANCES ANGULAR ±		CHECKED
SUPERSEDES:					
THIS DRAWING IS THE PROPERTY OF JOSLYN MANUFACTURING CO. AND EMBODIES A CONFIDENTIAL PROPRIETARY DESIGN IN WHICH JOSLYN RETAINS ALL PATENTS AND PROPRIETARY RIGHTS, INCLUDING EXCLUSIVE RIGHT OF USE, MANUFACTURE AND SALE. BY ACCEPTING THIS DRAWING, THE RECIPIENT AGREES NOT TO DISCLOSE, REPRODUCE OR USE ANY INFORMATION CONTAINED HEREIN WITHOUT THE PRIOR WRITTEN CONSENT OF JOSLYN.					
				SCALE:	SHEET 1 OF 1