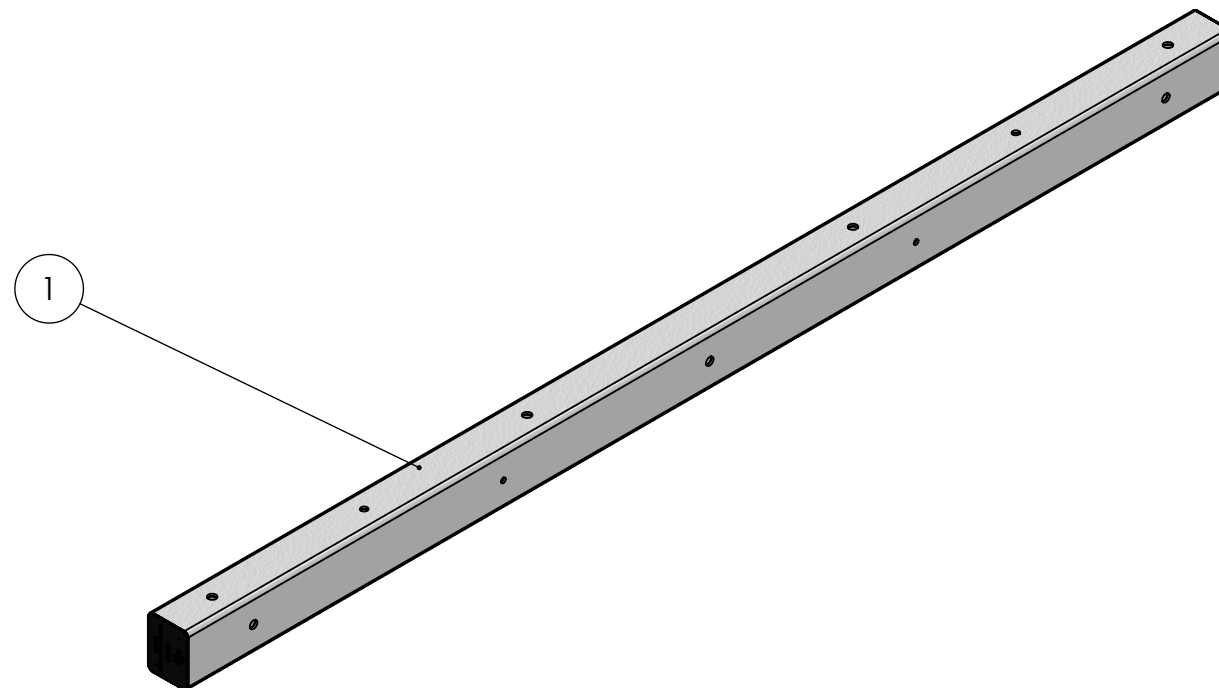



ITEM NO.	PART NUMBER	DESCRIPTION	QTY.
1	P90008X	PX FOAMED TUBE	1

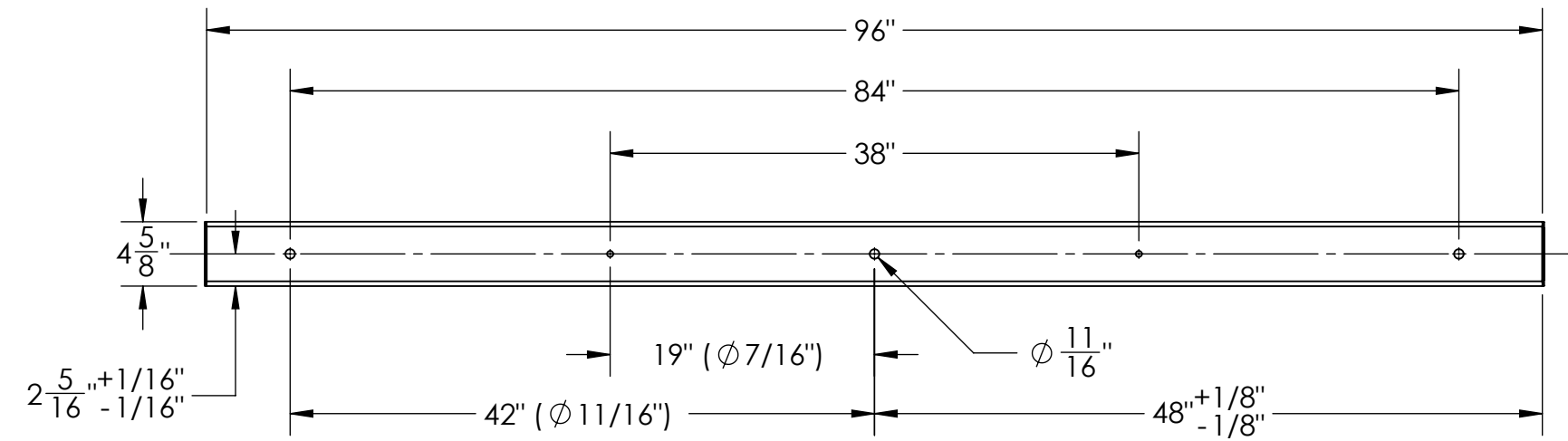
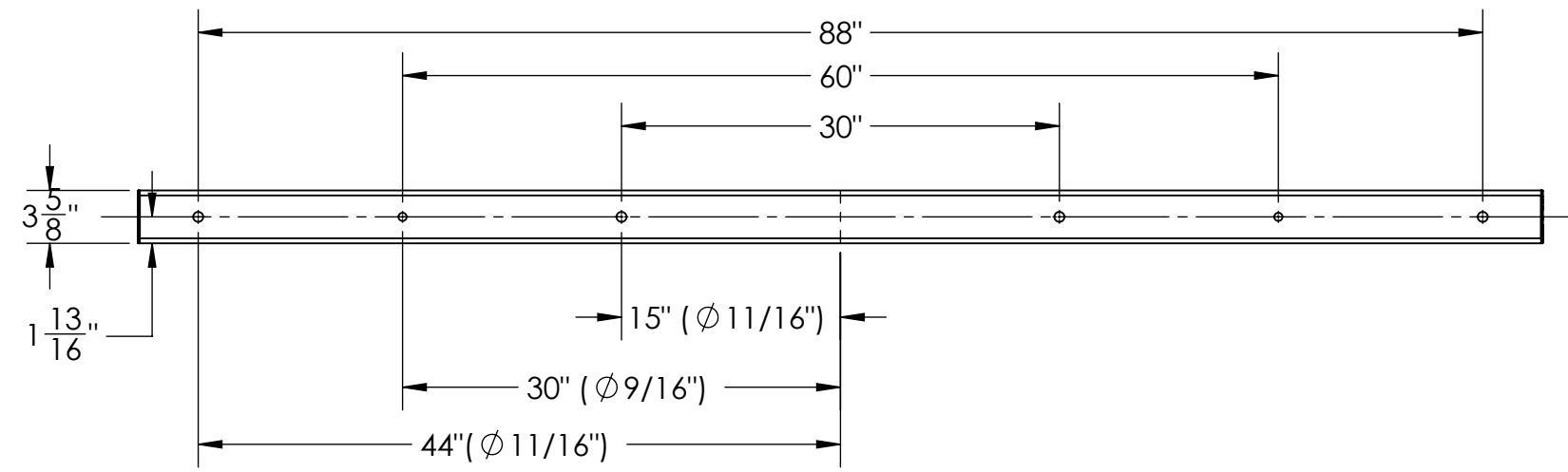
PAPER SIZE		DRAWING NUMBER	
<b>B</b>		<b>3001-029</b>	
REVISIONS			
REV.	ECO BY	ECO DATE	ECO NUMBER
A	TJK	10/7/13	00548



THIS DRAWING CONTAINS CONFIDENTIAL INFORMATION THAT IS THE PROPERTY OF MACLEAN POWER, L.L.C. ("MACLEAN"). USE OF MACLEAN'S CONFIDENTIAL INFORMATION WITHOUT MACLEAN'S EXPRESS WRITTEN CONSENT IS STRICTLY PROHIBITED AND MAY EXPOSE YOU TO LEGAL LIABILITY. IF YOU BELIEVE THAT YOU RECEIVED THIS MATERIAL IN ERROR, PLEASE DESTROY IT OR RETURN IT TO "MACLEAN POWER, L.L.C., 7801 PARK PLACE RD., YORK, SOUTH CAROLINA 29745, USA."

CATALOG NUMBER: <b>PX08REA003</b>	CUSTOMER NUMBER: <b>N/A</b>	PART NUMBER: <b>F454500</b>	DRAWING NUMBER: <b>3001-029</b>	DO NOT SCALE DRAWING
PHYSICAL PROPERTIES			SHEET: <b>1 OF 2</b>	CAD GENERATED DRAWING DO NOT MANUALLY UPDATE
UNLESS OTHERWISE SPECIFIED DIMENSIONS ARE IN: <b>INCHES</b>			DRAWING DESCRIPTION: <b>PX TANGENT CROSSARM</b>	DESIGN DATE: <b>1/9/09</b>
MATERIAL: <b>FIBERGLASS</b>	TOLERANCES ARE:		PRODUCT LINE: <b>CROSSARMS</b>	DRAWN BY: <b>TJK</b>
APPROX. WEIGHT : <b>24 LBS</b>	.XX <b>+/- .03</b>	.XXX <b>+/- .015</b>	APPROVED: <b>10/07/13</b>	ENGINEER: <b>tkrohn</b>
VOLUME: <b>IN3</b>	X/XX <b>+/- 1/32</b>	ANGLES <b>+/- 1°</b>	SCALE: <b>1:12.5</b>	
		 7801 PARK PLACE RD. YORK, SC. 29745 TEL. (803) 628-2100 FAX: (803) 628-2139		

PAPER SIZE	DRAWING NUMBER
<b>B</b>	<b>3001-029</b>



CATALOG NUMBER: <b>PX08REA003</b>		CUSTOMER NUMBER: <b>N/A</b>		PART NUMBER: <b>F454500</b>		DRAWING NUMBER: <b>3001-029</b>		DO NOT SCALE DRAWING	
PHYSICAL PROPERTIES				UNLESS OTHERWISE SPECIFIED DIMENSIONS ARE IN: <b>INCHES</b>		SHEET: <b>2 OF 2</b>		CAD GENERATED DRAWING DO NOT MANUALLY UPDATE	
				TOLERANCES ARE:		DRAWING DESCRIPTION: <b>PX TANGENT CROSSARM</b>		DESIGN DATE: <b>1/9/09</b>	
MATERIAL: <b>FIBERGLASS</b>		APPROX. WEIGHT : <b>24 LBS</b>		.XX +/- .03		.XXX +/- .015		DRAWN BY: <b>TJK</b>	
VOLUME: <b>IN3</b>				X/XX +/- 1/32		X/XX +/- 1/32		ENGINEER: <b>tkrohn</b>	
				ANGLES +/- 1°		7801 PARK PLACE RD. YORK, SC. 29745		APPROVED: <b>10/07/13</b>	
				TEL. (803) 628-2100 FAX: (803) 628-2139		PRODUCT LINE: <b>CROSSARMS</b>		SCALE: <b>1:12.5</b>	

THIS DRAWING CONTAINS CONFIDENTIAL INFORMATION THAT IS THE PROPERTY OF MACLEAN POWER, L.L.C. ("MACLEAN"). USE OF MACLEAN'S CONFIDENTIAL INFORMATION WITHOUT MACLEAN'S EXPRESS WRITTEN CONSENT IS STRICTLY PROHIBITED AND MAY EXPOSE YOU TO LEGAL LIABILITY. IF YOU BELIEVE THAT YOU RECEIVED THIS MATERIAL IN ERROR, PLEASE DESTROY IT OR RETURN IT TO "MACLEAN POWER, L.L.C., 7801 PARK PLACE RD., YORK, SOUTH CAROLINA 29745, USA."