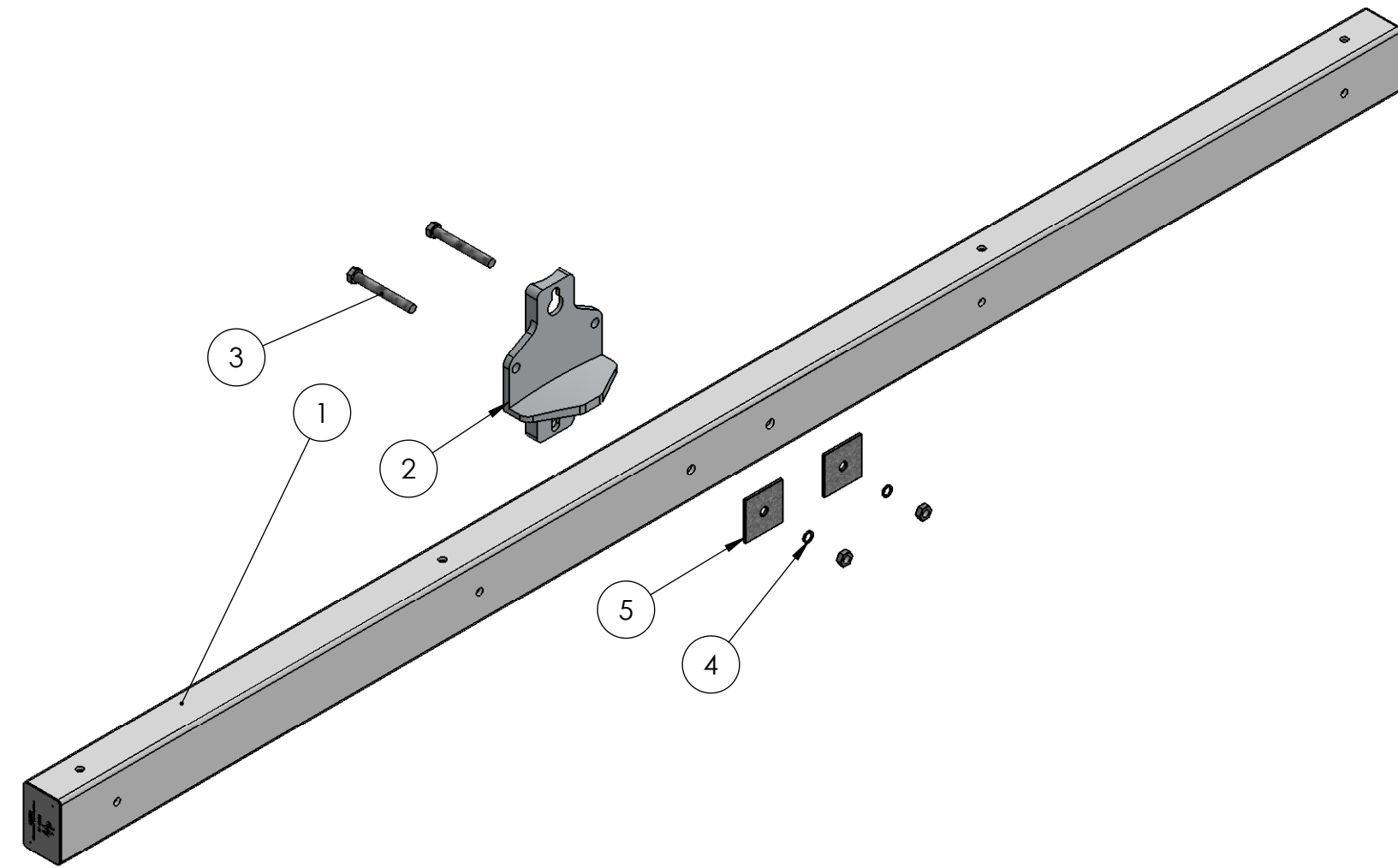



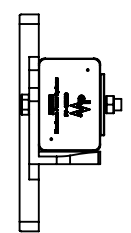
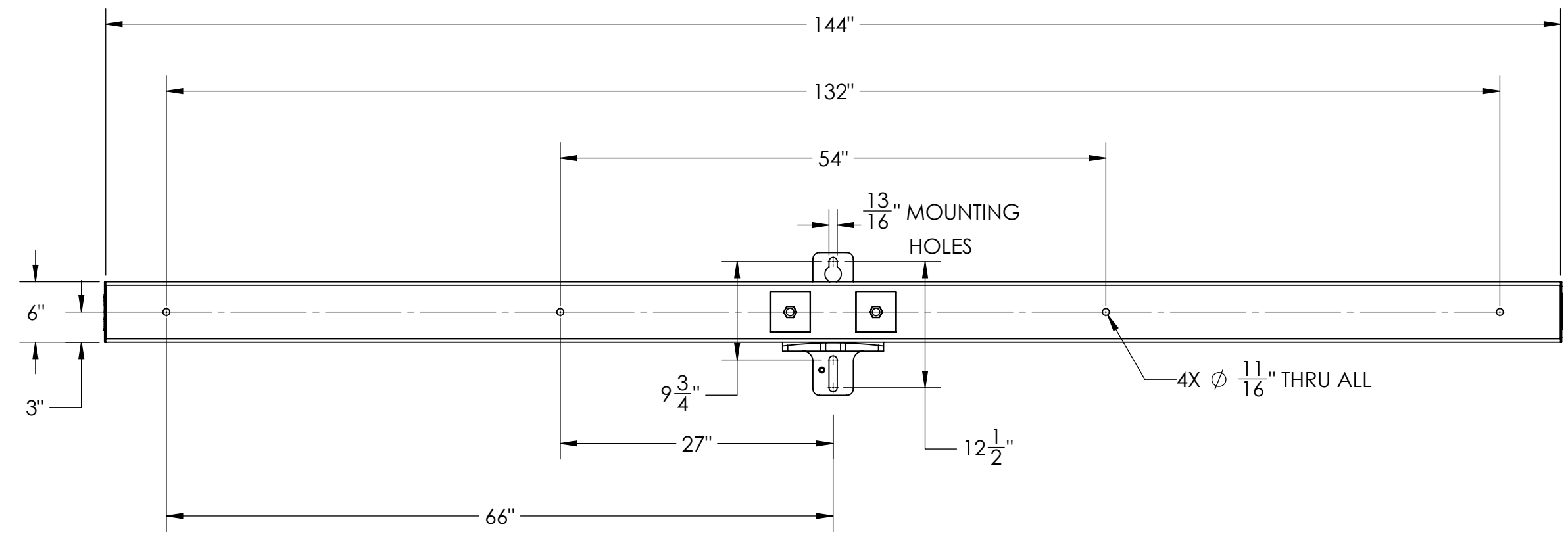
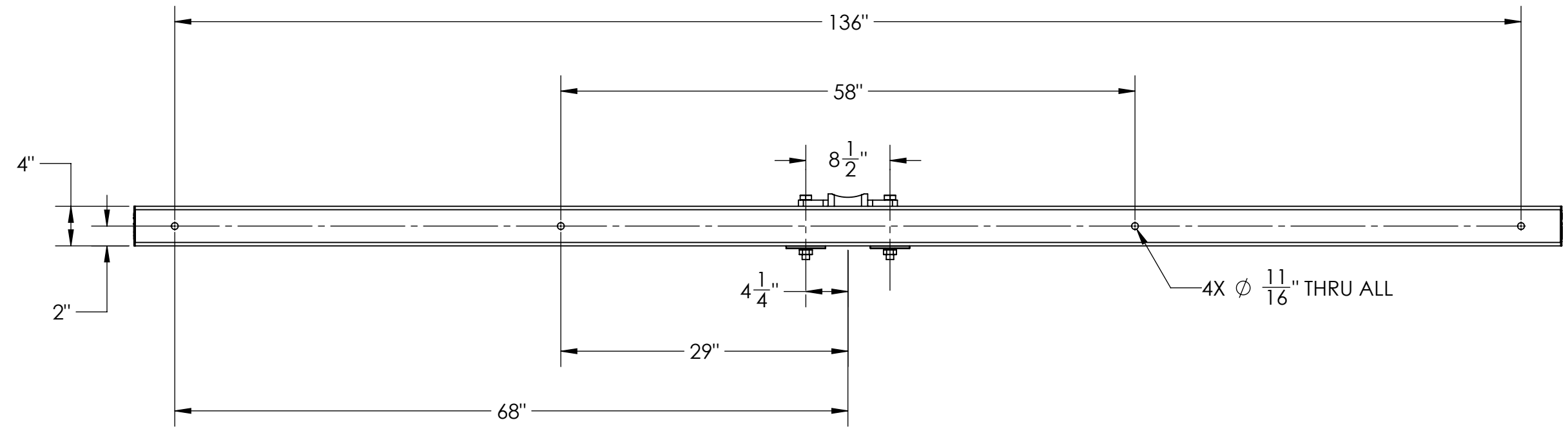
ITEM NO.	PART NUMBER	DESCRIPTION	QTY.
1	P90012Y	PY FOAMED TUBE	1
2	P61810	HEAVY DUTY DEADEND TANGENT POSITION BASE	1
3	F614574	3/4" x 6" BOLT / NUT ASSEMBLY	2
4	F338983	3/4" LOCKWASHER	2
5	P68244	4" x 4" SQUARE WASHER W/ ϕ 13/16" HOLE	2

PAPER SIZE		DRAWING NUMBER	
B		3006-136	
REVISIONS			
REV.	ECO BY	ECO DATE	ECO NUMBER
A	MHK	12/10/14	01451



THIS DRAWING CONTAINS CONFIDENTIAL INFORMATION THAT IS THE PROPERTY OF MACLEAN POWER, L.L.C. ("MACLEAN"). USE OF MACLEAN'S CONFIDENTIAL INFORMATION WITHOUT MACLEAN'S EXPRESS WRITTEN CONSENT IS STRICTLY PROHIBITED AND MAY EXPOSE YOU TO LEGAL LIABILITY. IF YOU BELIEVE THAT YOU RECEIVED THIS MATERIAL IN ERROR, PLEASE DESTROY IT OR RETURN IT TO "MACLEAN POWER, L.L.C., 7801 PARK PLACE RD., YORK, SOUTH CAROLINA 29745, USA."

CATALOG NUMBER: PY12ST349	CUSTOMER NUMBER:	PART NUMBER:	DRAWING NUMBER: 3006-136	DO NOT SCALE DRAWING
PHYSICAL PROPERTIES UNLESS OTHERWISE SPECIFIED DIMENSIONS ARE IN: INCHES			SHEET: 1 OF 2	CAD GENERATED DRAWING DO NOT MANUALLY UPDATE
			DRAWING DESCRIPTION: PY TANGENT CROSSARM, 12 FT LG	DESIGN DATE: 12/10/14
MATERIAL: FIBERGLASS	TOLERANCES ARE:	 MACLEAN POWER SYSTEMS 7801 PARK PLACE RD. YORK, SC. 29745 TEL. (803) 628-2100 FAX: (803) 628-2139		
APPROX. WEIGHT : 81 LBS	.XX +/- .03			
VOLUME : IN3	.XXX +/- .015			
	X/XX +/- 1/32			
	ANGLES +/- 1°	PRODUCT LINE: CROSSARMS	APPROVED: 12/10/14	SCALE: 1:12.5



CATALOG NUMBER: PY12ST349		CUSTOMER NUMBER:		PART NUMBER:		DRAWING NUMBER: 3006-136		DO NOT SCALE DRAWING	
PHYSICAL PROPERTIES UNLESS OTHERWISE SPECIFIED DIMENSIONS ARE IN: INCHES				TOLERANCES ARE: .XX +/- .03 .XXX +/- .015 X/XX +/- 1/32 ANGLES +/- 1°		SHEET: 2 OF 2		CAD GENERATED DRAWING DO NOT MANUALLY UPDATE	
						DRAWING DESCRIPTION: PY TANGENT CROSSARM, 12 FT LG		DESIGN DATE: 12/10/14	
MATERIAL: FIBERGLASS		APPROX. WEIGHT : 81 LBS		VOLUME: IN3		PRODUCT LINE: CROSSARMS		DRAWN BY: MHK	
								ENGINEER: mkadel	
								APPROVED: 12/10/14	
								SCALE: 1:12.5	

THIS DRAWING CONTAINS CONFIDENTIAL INFORMATION THAT IS THE PROPERTY OF MACLEAN POWER, L.L.C. ("MACLEAN"). USE OF MACLEAN'S CONFIDENTIAL INFORMATION WITHOUT MACLEAN'S EXPRESS WRITTEN CONSENT IS STRICTLY PROHIBITED AND MAY EXPOSE YOU TO LEGAL LIABILITY. IF YOU BELIEVE THAT YOU RECEIVED THIS MATERIAL IN ERROR, PLEASE DESTROY IT OR RETURN IT TO "MACLEAN POWER, L.L.C., 7801 PARK PLACE RD., YORK, SOUTH CAROLINA 29745, USA."



7801 PARK PLACE RD.
YORK, SC. 29745
TEL. (803) 628-2100 FAX: (803) 628-2139