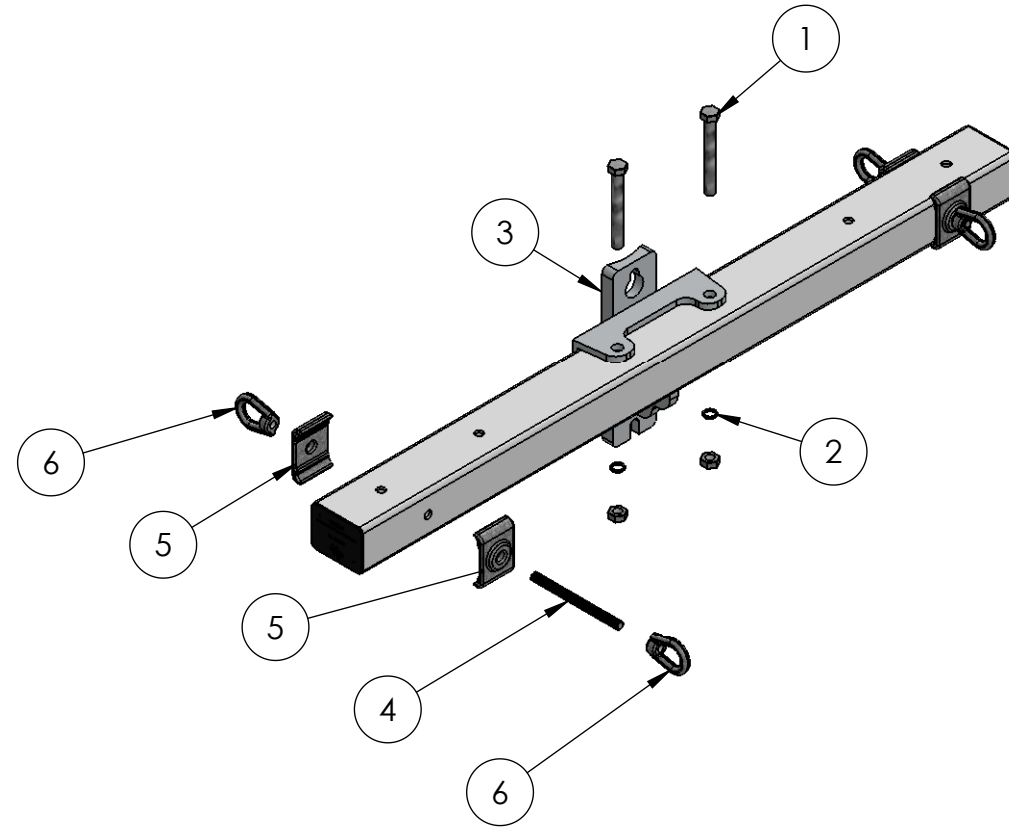



ITEM NO.	PART NUMBER	DESCRIPTION	QTY.
1	F614574	3/4" x 6" BOLT / NUT ASSEMBLY	2
2	F338983	3/4" LOCKWASHER	2
3	P60103	SMALL PROFILE DEADEND BASE - ALUMINUM	1
4	P67578	5/8 - 11 x 8" STUD	2
5	P66000	SMALL PROFILE DEADEND PENTECH WASHER	4
6	F392614	5/8" OVAL EYE NUT	4
7	P90005X	PX FOAMED TUBE	1

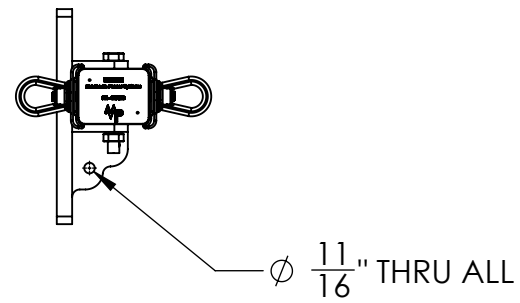
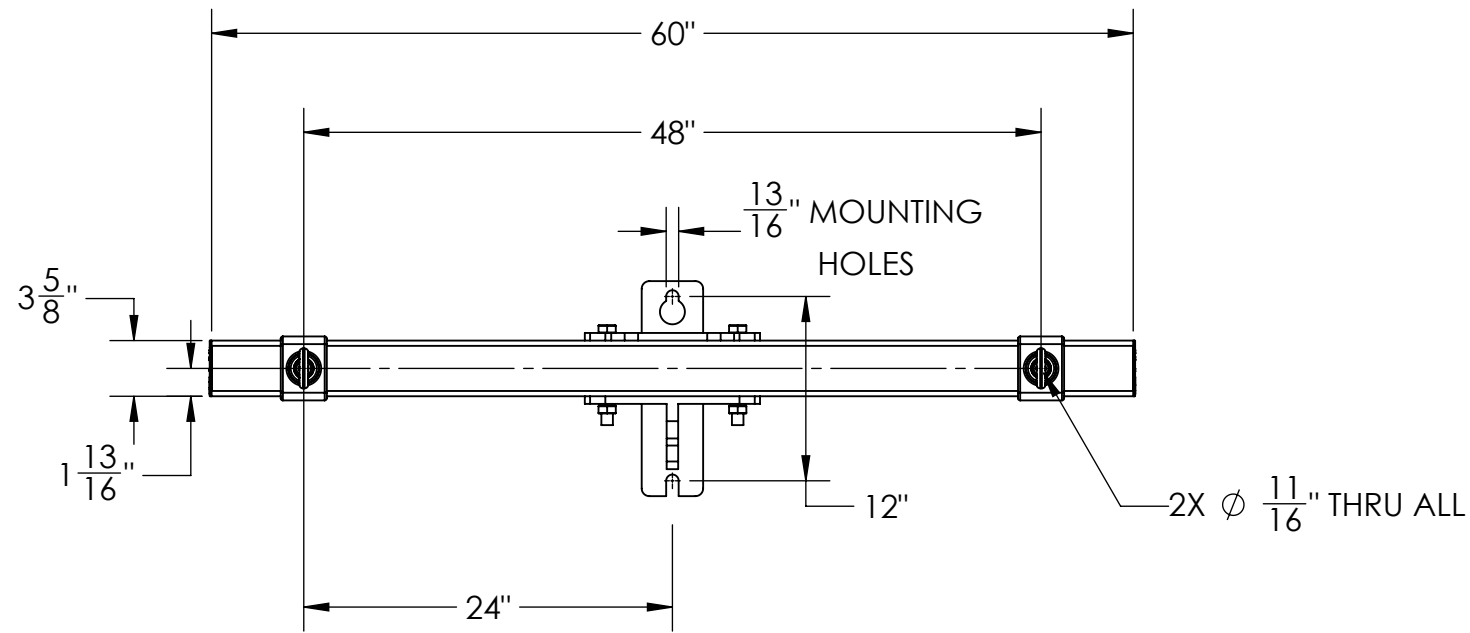
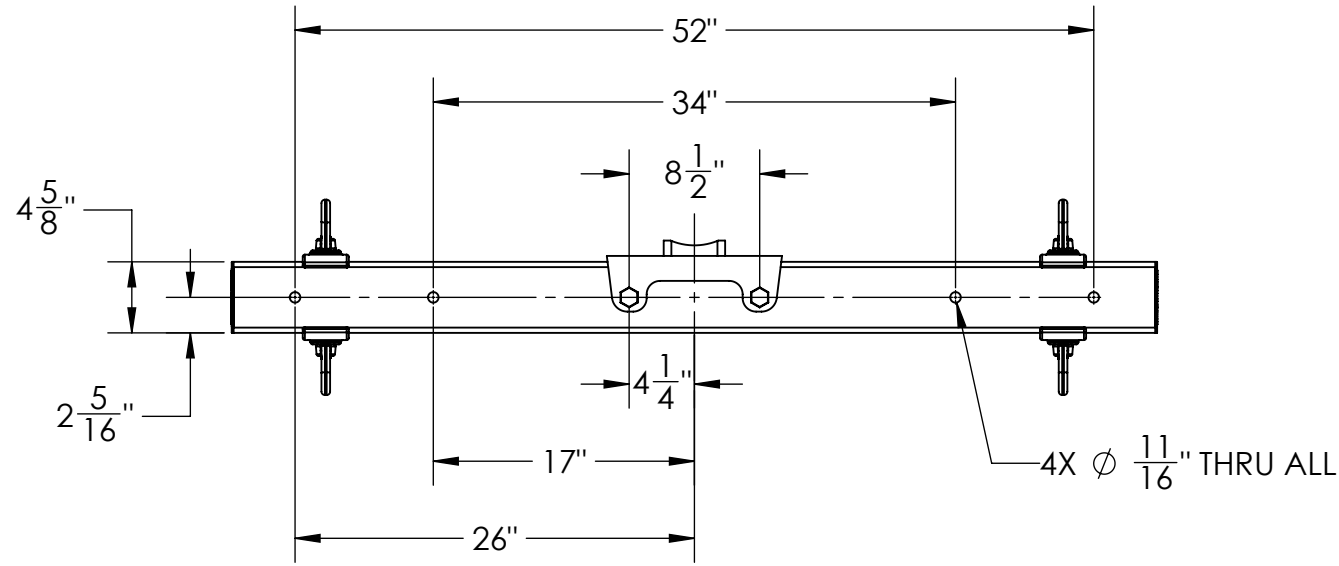
PAPER SIZE		DRAWING NUMBER	
B		3009-004	
REVISIONS			
REV.	ECO BY	ECO DATE	ECO NUMBER
A	MHK	10/31/14	01327




THIS DRAWING CONTAINS CONFIDENTIAL INFORMATION THAT IS THE PROPERTY OF MACLEAN POWER, L.L.C. ("MACLEAN"). USE OF MACLEAN'S CONFIDENTIAL INFORMATION WITHOUT MACLEAN'S EXPRESS WRITTEN CONSENT IS STRICTLY PROHIBITED AND MAY EXPOSE YOU TO LEGAL LIABILITY. IF YOU BELIEVE THAT YOU RECEIVED THIS MATERIAL IN ERROR, PLEASE DESTROY IT OR RETURN IT TO "MACLEAN POWER, L.L.C., 7801 PARK PLACE RD., YORK, SOUTH CAROLINA 29745, USA."

CATALOG NUMBER: PX05LD573-2E		CUSTOMER NUMBER:		PART NUMBER:		DRAWING NUMBER: 3009-004		DO NOT SCALE DRAWING	
PHYSICAL PROPERTIES				UNLESS OTHERWISE SPECIFIED DIMENSIONS ARE IN:		SHEET: 1 OF 2		CAD GENERATED DRAWING DO NOT MANUALLY UPDATE	
				INCHES		DRAWING DESCRIPTION: PX DEADEND CROSSARM, 5 FT LG		DESIGN DATE:	
MATERIAL: FIBERGLASS		TOLERANCES ARE:		7801 PARK PLACE RD. YORK, SC. 29745		DRAWN BY: MHK		ENGINEER: mkadel	
APPROX. WEIGHT : 42 LBS		.XX +/- .03		 7801 PARK PLACE RD. YORK, SC. 29745 TEL. (803) 628-2100 FAX: (803) 628-2139		APPROVED: 11/03/14		SCALE: 1:12.5	
VOLUME: IN3		.XXX +/- .015				PRODUCT LINE: CROSSARMS			
		X/XX +/- 1/32							
		ANGLES +/- 1°							

PAPER SIZE	DRAWING NUMBER
B	3009-004



CATALOG NUMBER: PX05LD573-2E		CUSTOMER NUMBER:		PART NUMBER:		DRAWING NUMBER: 3009-004		DO NOT SCALE DRAWING	
PHYSICAL PROPERTIES		UNLESS OTHERWISE SPECIFIED DIMENSIONS ARE IN: INCHES		 MACLEAN POWER SYSTEMS 7801 PARK PLACE RD. YORK, SC. 29745 TEL. (803) 628-2100 FAX: (803) 628-2139		SHEET: 2 OF 2		CAD GENERATED DRAWING DO NOT MANUALLY UPDATE	
						DRAWING DESCRIPTION: PX DEADEND CROSSARM, 5 FT LG		DESIGN DATE:	
MATERIAL:	FIBERGLASS	.XX	+/- .03	DRAWING NUMBER:		DRAWN BY: MHK		ENGINEER: mkadel	
APPROX. WEIGHT :	42 LBS	.XXX	+/- .015	DRAWING DESCRIPTION:		APPROVED: 11/03/14		SCALE: 1:12.5	
VOLUME:	IN3	X/XX	+/- 1/32	PRODUCT LINE: CROSSARMS		DESIGN DATE:		ENGINEER: mkadel	
		ANGLES	+/- 1°	DRAWING NUMBER:		DRAWN BY: MHK		ENGINEER: mkadel	

THIS DRAWING CONTAINS CONFIDENTIAL INFORMATION THAT IS THE PROPERTY OF MACLEAN POWER, L.L.C. ("MACLEAN"). USE OF MACLEAN'S CONFIDENTIAL INFORMATION WITHOUT MACLEAN'S EXPRESS WRITTEN CONSENT IS STRICTLY PROHIBITED AND MAY EXPOSE YOU TO LEGAL LIABILITY. IF YOU BELIEVE THAT YOU RECEIVED THIS MATERIAL IN ERROR, PLEASE DESTROY IT OR RETURN IT TO "MACLEAN POWER, L.L.C., 7801 PARK PLACE RD., YORK, SOUTH CAROLINA 29745, USA."