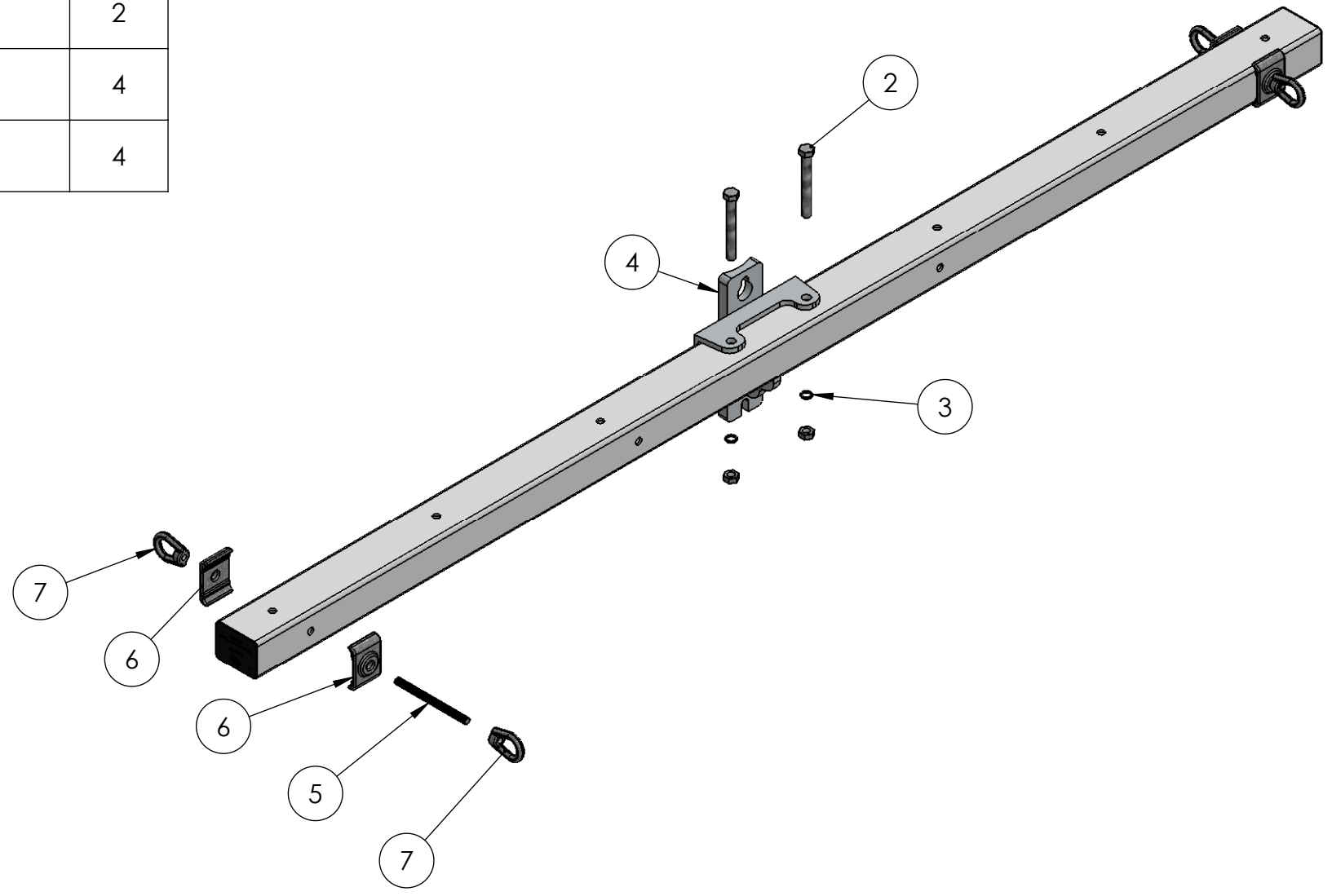



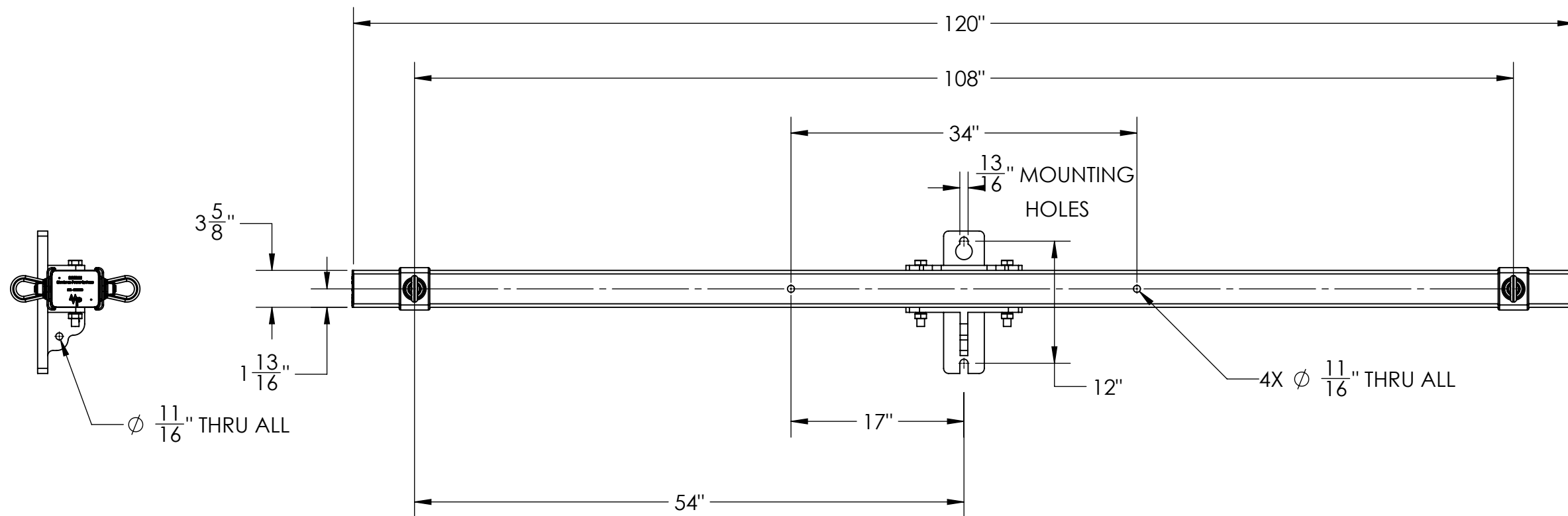
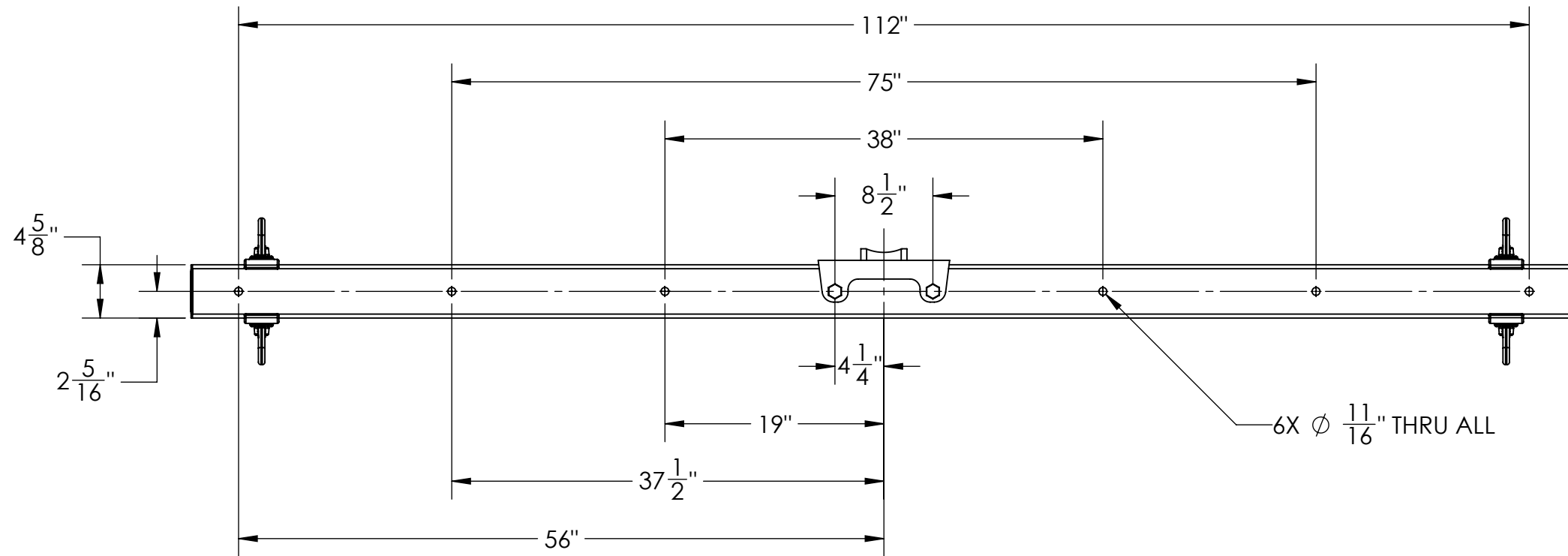
ITEM NO.	PART NUMBER	DESCRIPTION	QTY.
1	P90010X	PX FOAMED TUBE	1
2	F614574	3/4" x 6" BOLT / NUT ASSEMBLY	2
3	F338983	3/4" LOCKWASHER	2
4	P60103	SMALL PROFILE DEADEND BASE - ALUMINUM	1
5	P67578	5/8 - 11 x 8" STUD	2
6	P66000	SMALL PROFILE DEADEND PENTECH WASHER	4
7	F392614	5/8" OVAL EYE NUT	4


PAPER SIZE		DRAWING NUMBER	
<b>B</b>		<b>3009-007</b>	
REVISIONS			
REV.	ECO BY	ECO DATE	ECO NUMBER
A	MHK	10/31/14	01327



THIS DRAWING CONTAINS CONFIDENTIAL INFORMATION THAT IS THE PROPERTY OF MACLEAN POWER, L.L.C. ("MACLEAN"). USE OF MACLEAN'S CONFIDENTIAL INFORMATION WITHOUT MACLEAN'S EXPRESS WRITTEN CONSENT IS STRICTLY PROHIBITED AND MAY EXPOSE YOU TO LEGAL LIABILITY. IF YOU BELIEVE THAT YOU RECEIVED THIS MATERIAL IN ERROR, PLEASE DESTROY IT OR RETURN IT TO "MACLEAN POWER, L.L.C., 7801 PARK PLACE RD., YORK, SOUTH CAROLINA 29745, USA."

CATALOG NUMBER: <b>PX10LD005-2E</b>	CUSTOMER NUMBER:	PART NUMBER:	DRAWING NUMBER: <b>3009-007</b>	DO NOT SCALE DRAWING
<b>PHYSICAL PROPERTIES</b> UNLESS OTHERWISE SPECIFIED DIMENSIONS ARE IN: <b>INCHES</b>			SHEET: 1 OF 2	CAD GENERATED DRAWING DO NOT MANUALLY UPDATE
			DRAWING DESCRIPTION: PX DEADEND CROSSARM, 10 FT LG	DESIGN DATE: 10/31/14
MATERIAL: FIBERGLASS	TOLERANCES ARE:	 7801 PARK PLACE RD. YORK, SC. 29745 TEL. (803) 628-2100 FAX: (803) 628-2139	PRODUCT LINE: CROSSARMS	DRAWN BY: MHK
APPROX. WEIGHT : 62 LBS	.XX +/- .03		ENGINEER: mkadel	
VOLUME : IN3	.XXX +/- .015		APPROVED: 11/03/14	
	X/XX +/- 1/32		SCALE: 1:12.5	
	ANGLES +/- 1°			



CATALOG NUMBER: <b>PX10LD005-2E</b>		CUSTOMER NUMBER:		PART NUMBER:		DRAWING NUMBER: <b>3009-007</b>		DO NOT SCALE DRAWING	
PHYSICAL PROPERTIES				UNLESS OTHERWISE SPECIFIED DIMENSIONS ARE IN: <b>INCHES</b>		SHEET: 2 OF 2		CAD GENERATED DRAWING DO NOT MANUALLY UPDATE	
				TOLERANCES ARE:		DRAWING DESCRIPTION: PX DEADEND CROSSARM, 10 FT LG		DESIGN DATE: 10/31/14	
MATERIAL:	FIBERGLASS	.XX	+/- .03	7801 PARK PLACE RD. YORK, SC. 29745		DRAWN BY: MHK		ENGINEER: mkadel	
APPROX. WEIGHT :	62 LBS	.XXX	+/- .015	TEL. (803) 628-2100 FAX: (803) 628-2139		APPROVED: 11/03/14		SCALE: 1:12.5	
VOLUME:	IN3	X/XX	+/- 1/32			PRODUCT LINE: CROSSARMS		APPROVED: 11/03/14	
		ANGLES	+/- 1°					SCALE: 1:12.5	

THIS DRAWING CONTAINS CONFIDENTIAL INFORMATION THAT IS THE PROPERTY OF MACLEAN POWER, L.L.C. ("MACLEAN"). USE OF MACLEAN'S CONFIDENTIAL INFORMATION WITHOUT MACLEAN'S EXPRESS WRITTEN CONSENT IS STRICTLY PROHIBITED AND MAY EXPOSE YOU TO LEGAL LIABILITY. IF YOU BELIEVE THAT YOU RECEIVED THIS MATERIAL IN ERROR, PLEASE DESTROY IT OR RETURN IT TO "MACLEAN POWER, L.L.C., 7801 PARK PLACE RD., YORK, SOUTH CAROLINA 29745, USA."