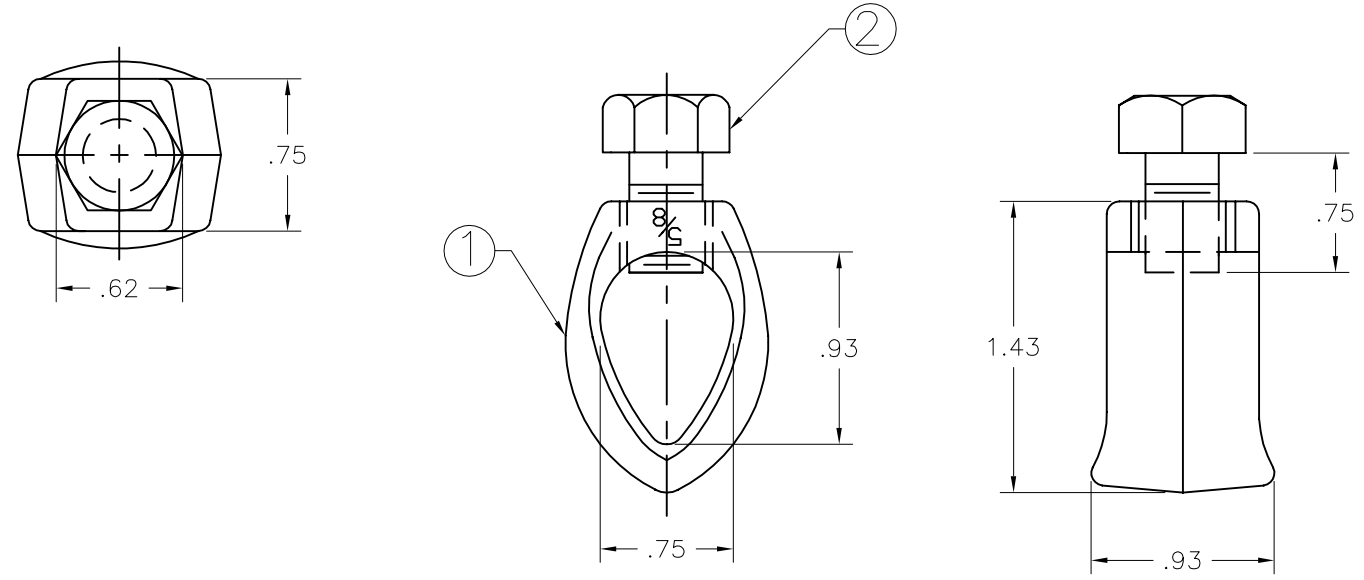


A | B | C | D | E | F

PAPER SIZE	DRAWING NUMBER	
B SIZE	GD-J25932	
REV	REVISION DATE	ECO
A	09-11-09	9641



ITEM	QUANTITY	DESCRIPTION
1	1	GROUND ROD CLAMP BODY
2	1	.375 DIAMETER STAINLESS STEEL MACHINE SCREW

NOTES:
 1) ALL DIMENSIONS ARE REFERENCE AND ARE IN INCHES.
 2) ITEM 1 ONLY HOT DIP GALVANIZED.

CATALOG NUMBER J25932

This drawing contains confidential information that is the property of MacLean Power, L.L.C. ("MacLean"). Use of MacLean's confidential information without MacLean's express written consent is strictly prohibited and may expose you to legal liability. If you believe that you received this material in error, please destroy it or return it to "MacLean Power, L.L.C., 11411 Addison, Franklin Park, Illinois 60131, USA."

F392675

DRAWING-COMPUTER LOCATION

TOLERANCES UNLESS SPECIFIED	
inch	
0.XX	— — —
0.XXX	— — —
ANGLE	— — —



DRAWN BY	ENGINEER	CHECKER	CATALOG #	SCALE	DESIGN DATE
RC	RRL	FJS	J25932	---	09-11-09
DRAWING TITLE / DESCRIPTION					DRAWING NUMBER
CLAMP CABLE					GD-J25932