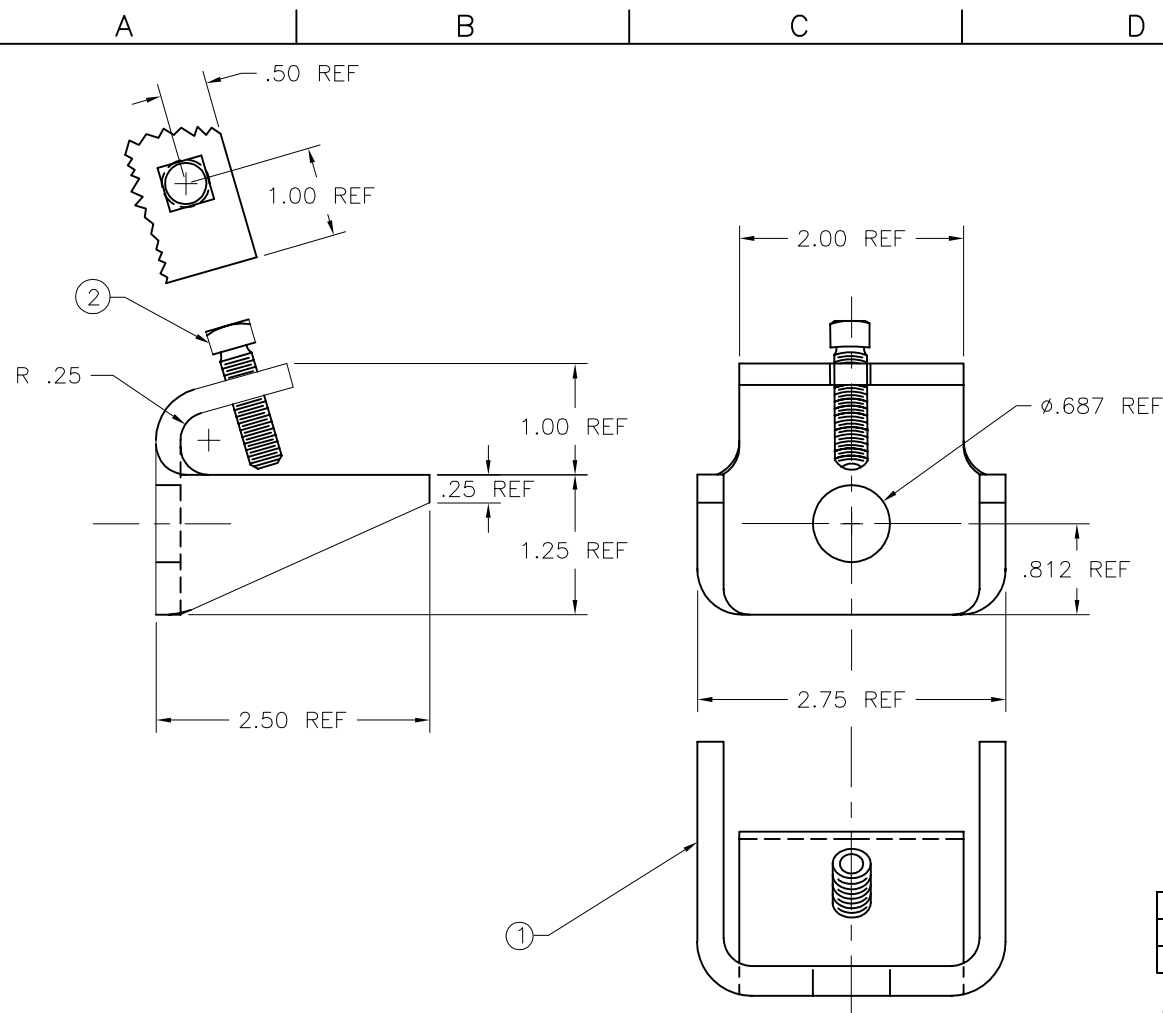


PAPER SIZE	DRAWING NUMBER	
B SIZE	GD-J25911	
REV	REVISION DATE	ECO
A	07-28-09	9596



ITEM	QTY	DESCRIPTION
1	1	BEAM CLAMP BODY
2	1	.375 X 1.000 SQ HEAD SET SCREW

- NOTES:**
- 1) ALL DIMENSIONS ARE REFERENCE AND IN INCHES EXCEPT AS NOTED. SEE COMPONENT LEVEL DRAWINGS FOR COMPLETE DIMENSIONAL REQUIREMENTS.
  - 2) HOT DIP GALVANIZED. WORKMANSHIP CLASS 3.

CATALOG NUMBER J25911

TOLERANCES UNLESS SPECIFIED
inch
0.XX
0.XXX
ANGLE



DRAWN BY	ENGINEER	CHECKER	CATALOG #	SCALE	DESIGN DATE
RC	DEK	FJS	J25911	---	07-28-09
DRAWING TITLE / DESCRIPTION					DRAWING NUMBER
CLAMP BEAM					GD-J25911

F102517  
DRAWING-COMPUTER LOCATION:  
DRAWING-COMPUTER LOCATION:

This drawing contains confidential information that is the property of MacLean Power, L.L.C. ("MacLean"). Use of MacLean's confidential information without MacLean's express written consent is strictly prohibited and may expose you to legal liability. If you believe that you received this material in error, please destroy it or return it to "MacLean Power, L.L.C., 11411 Addison, Franklin Park, Illinois 60131, USA."