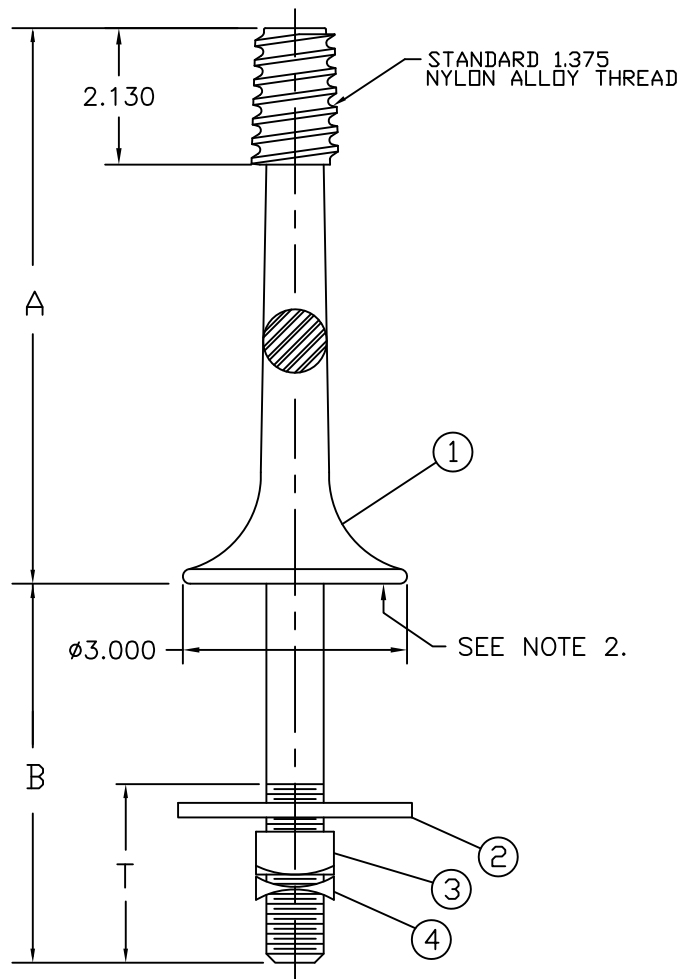


A | B | C | D | E | F

PAPER SIZE		DRAWING NUMBER	
B SIZE		GD-J647Z	
REV	REVISION DATE	ECO	
A	7-17-17	D8627	



**MATERIAL:**  
 THREAD: NYLON ALLOY  
 PIN: FORGED STEEL GALVANIZED PER ASTM A-153

- NOTES:**
1. ALL DIMENSIONS ARE REFERENCE AND IN INCHES EXCEPT AS NOTED.
  2. MANUFACTURER'S IDENTIFICATION MARK ("J" STAMP) AND YEAR OF MANUFACTURE (example "07") IN LOCATION SHOWN.

ITEM	QTY	DESCRIPTION
1	1	STEEL PIN BODY
2	1	2.25 SQ X .187 SQUARE WASHER
3	1	.625 REGULAR SQUARE NUT
4	1	.625 SQUARE M-F LOCKNUT

CATALOG NO.	A	B	T
J647Z	7.000	7.000	4.000

This drawing contains confidential information that is the property of MacLean Power, L.L.C. ("MacLean"). Use of MacLean's confidential information without MacLean's express written consent is strictly prohibited and may expose you to legal liability. If you believe that you received this material in error, please destroy it or return it to "MacLean Power, L.L.C., 11411 Addison, Franklin Park, Illinois 60131, USA."

DRAWING-COMPUTER LOCATION

TOLERANCES UNLESS SPECIFIED	INCH
0.XX	----
0.XXX	----
ANGLE	----



DRAWN BY	ENGINEER	CHECKER	CATALOG #	SCALE	DESIGN DATE
MB	MB	MG	J647Z	NTS	02-22-95
DRAWING TITLE / DESCRIPTION					DRAWING NUMBER
PIN X ARM W/NA THD					GD-J647Z