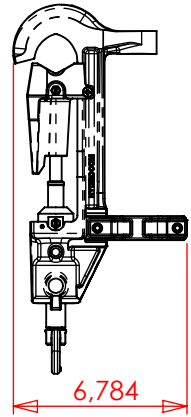
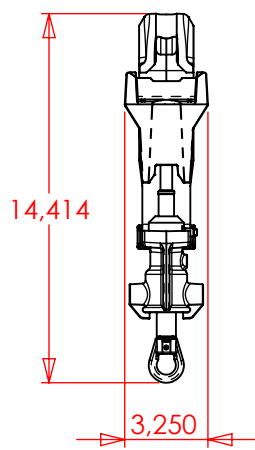
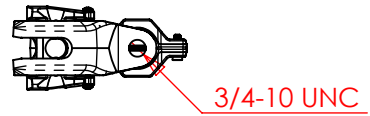
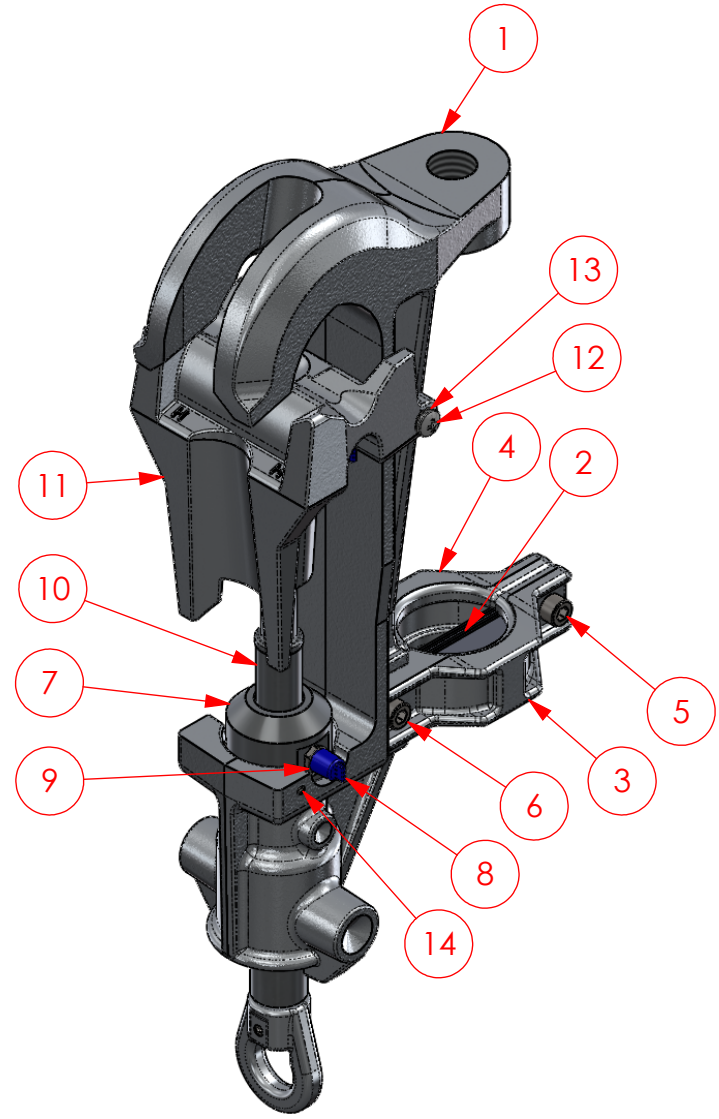


ITEM	DESCRIPTION	MATERIAL	QTY
1	CAT. NO. HC-10041 BODY DETAIL 50KA TRANSMISSION GROUNDING CLAMP	ALUMINIUM A356-T6	1
2	SPRING BLADE FOR CLAMP ARCHES AND TERMINAL	STAINLESS STEEL 301	4
3	STRAIN RELIEF CAP.	ALUMINIUM A356-T6	1
4	STRAIN RELIEF CAP.	ALUMINIUM A356-T6	1
5	SOCKET HEAD CAP SCREW, 1/4-20, 3/4 LENGTH	STAINLESS STEEL	1
6	SOCKET HEAD CAP SCREW, 1/4-20, 1 1/4 LENGTH	STAINLESS STEEL	1
7	DRIVER SCREW HOUSING	ALUMINIUM 6061-T6	1
8	CAPUCHON POUR GRAISSEUR	PLASTIC	2
9	GREASE NOZZLE 1/4-28	STAINLESS STEEL	2
10	LEAD SCREW	ALUMINIUM	1
11	HC-10041 MACHINED KEEPER DETAIL	ALUMINIUM A356-T6	1
12	#10-24 SCREW, 3/4 LENGTH	STAINLESS STEEL	2
13	#10 PUSH NUT	GALVANIZED STEEL	2
14	SPRING PIN 1/8 X 1 7/8	STAINLESS STEEL	1

PART NUMBER
F616265
DRAWING NUMBER
HC-10041A
FORMAT
A



This drawing contains confidential information that is the property of MacLean Power Systems Canada. Use of MacLean's confidential information without MacLean's express written consent is strictly prohibited and may expose you to legal liability. If you believe that you received this material in error, please destroy it or return it to MacLean Power Systems Canada, 225 Ford, Chateauguay (Québec), Canada, J6J 4Z2

**MACLEAN
POWER
SYSTEMS**
225 Ford, Chateauguay (Qué.) Canada J6J 4Z2
Tel. (450) 698-0520 Fax: (450) 692-5670

DESCRIPTION UNIVERSAL CLAMP	PROJECT NUMBER	PART NUMBER F616265
	SAP:	PRODUCT NUMBER HC-10041A
	PAGE 1 of 1	DRAWING NUMBER HC-10041A