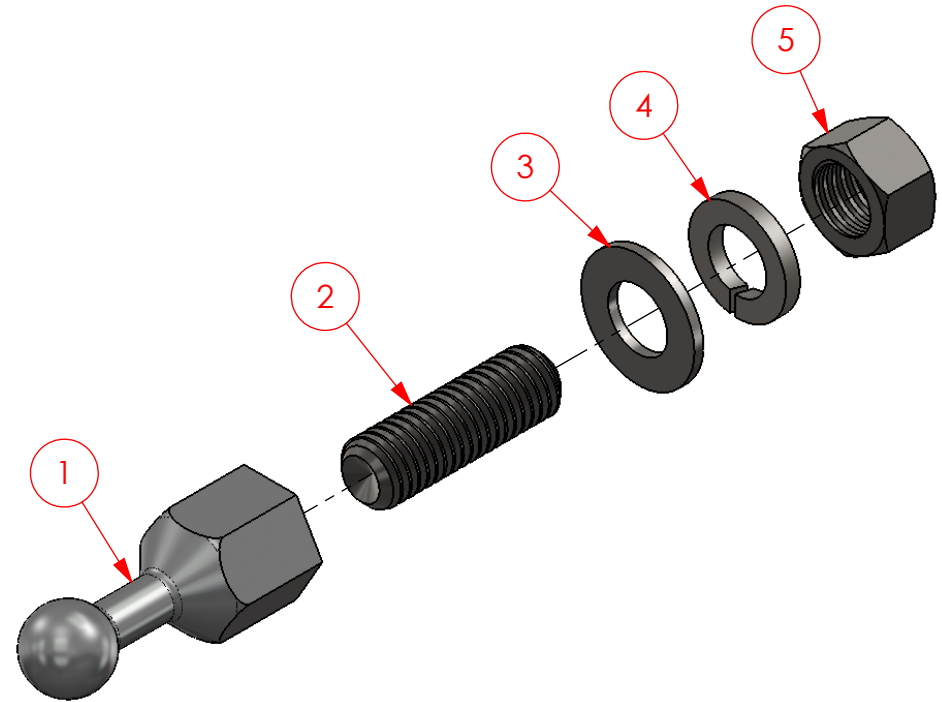
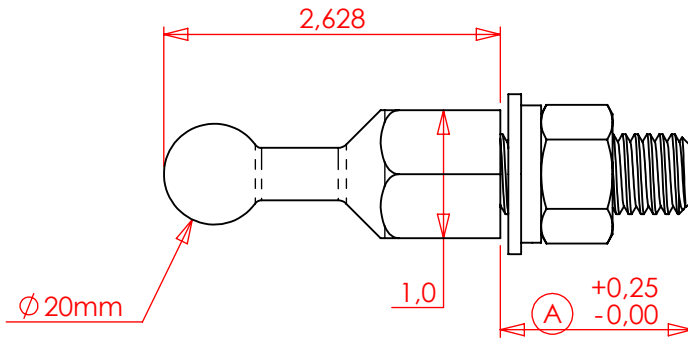


ITEM	DESCRIPTION	MATERIAL	QTY
1	GROUND BALLSTUD FOR 5/8-11 ROD	COPPER C110-ETP	1
2	SET SCREW 5/8-11 X 2" LENGTH	STAINLESS STEEL	1
3	5/8" FLAT WASHER	STAINLESS STEEL	1
4	5/8" LOCK WASHER	STAINLESS STEEL	1
5	5/8"-11 HEX. NUT	STAINLESS STEEL	1

PART NUMBER  
SEE TABLE  
DRAWING NUMBER  
HC-30028  
FORMAT  
A



NUMERO DE PIÈCE	NUMERO PRODUIT	(A)
F611498	HC-30028	-
F611499	HC-30028-0,5	0,50
F611500	HC-30028-1	1,00
F614378	HC-30028-1,25	1,25
F611501	HC-30028-1,5	1,50
F611502	HC-30028-2	2,00
F611503	HC-30028-2,5	2,50

This drawing contains confidential information that is the property of MacLean Power Systems Canada. Use of MacLean's confidential information without MacLean's express written consent is strictly prohibited and may expose you to legal liability. If you believe that you received this material in error, please destroy it or return it to MacLean Power Systems Canada, 225 Ford, Chateauguay (Québec), Canada, J6J 4Z2



225 Ford, Chateauguay (Qué.) Canada J6J 4Z2  
Tel. (450) 698-0520 Fax: (450) 692-5670

DESCRIPTION  
20MM GROUND BALLSTUD

PROJECT NUMBER  
248

SAP:

PAGE  
1 of 1

PART NUMBER  
SEE TABLE  
PRODUCT NUMBER  
HC-30028-X  
DRAWING NUMBER  
HC-30028