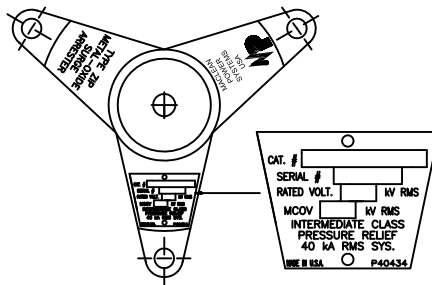


THREE PHASE INSTALLATION LAYOUT



TRIPOD BASE AND NAMEPLATE

PHYSICAL CHARACTERISTICS

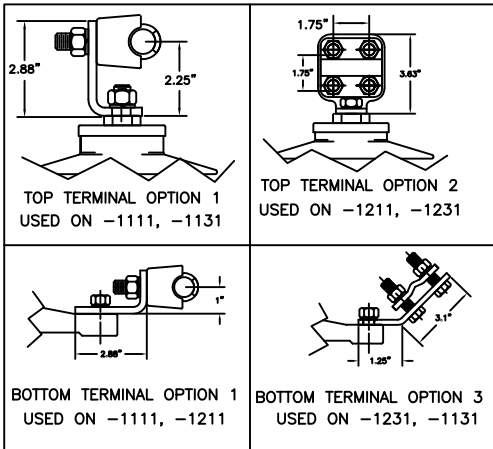
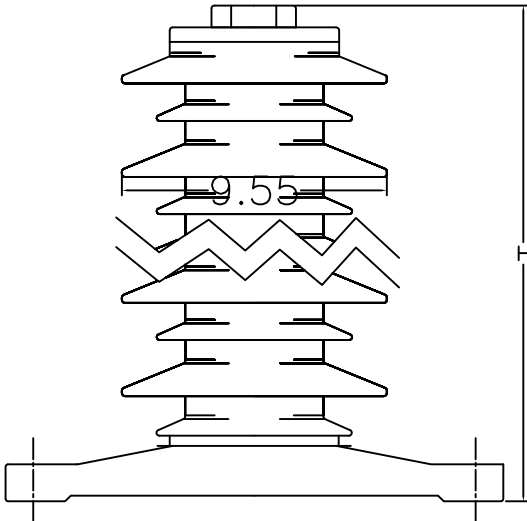
HEIGHT IN./ (MM)	CREEP IN./ (MM)	WEIGHT LBS./ (kg)
16.8/ (427)	44.2/ (1123)	16.6/ (7.5)

Min. Clearance – in./ (mm)		Fault Withstand
A	R	
12.5/ (318)	10.8/ (274)	50 kA

ELECTRICAL CHARACTERISTICS

RATING KV-RMS	MCOV KV-RMS	F.O.W. KV-CREST	MAX SWITCH. KV-CREST
36	29.0	101.6	76.7

MAX DISCHARGE VOLTAGE (KV-CREST)					
1.5 kA	3 kA	5 kA	10 kA	20 kA	40 kA
83.0	87.1	90.1	96.3	103.5	116.9



MacLean Power Systems

POLYMER HOUSED GAPLESS METAL OXIDE
ZIP INTERMEDIATE CLASS ARRESTER
36 KV RATED
29.0 KV MCOV

NOT TO SCALE

THIS DRAWING IS THE PROPERTY OF MACLEAN POWER SYSTEMS AND EMBODIES A CONFIDENTIAL PROPRIETARY DESIGN IN WHICH MPS RETAINS ALL PATENTS AND PROPRIETARY RIGHTS, INCLUDING EXCLUSIVE RIGHT OF USE, MANUFACTURE AND SALE. BY ACCEPTING THIS DRAWING, THE RECIPIENT AGREES NOT TO DISCLOSE, REPRODUCE, OR USE ANY INFORMATION CONTAINED HEREIN WITHOUT THE PRIOR WRITTEN CONSENT OF MPS.

DATE 04/05/16	ZIP0036-1XX1	
DRAWN ZA		
CHECKED	DO NOT SCALE DRAWING	SHEET 1 OF 1